

ARRANGE A SPACE

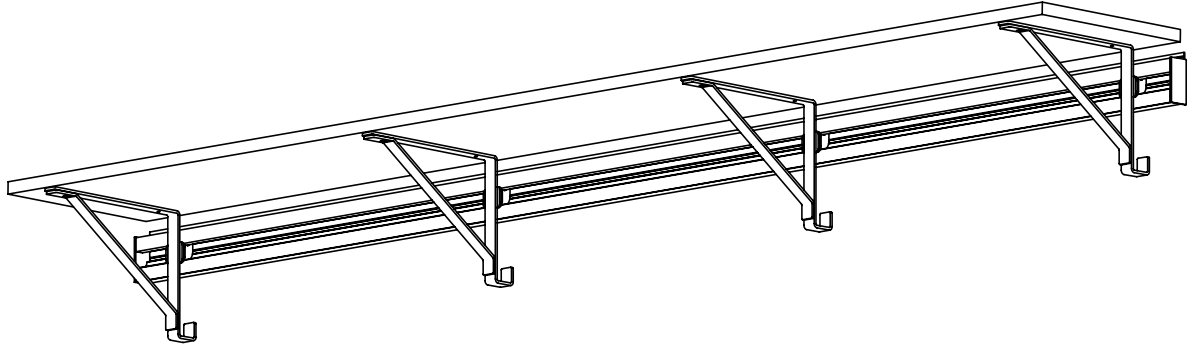
RCSS12 kit 88 RAIL with Shelf INSTALLATION GUIDE

page 1

The instructions below will make installation & assembly as simple as possible. We recommend reading these instructions BEFORE beginning installation. Becoming familiar with all the components will also make your installation quick & easy. **Save time! Check out our 1 minute installation video overview at www.arrangeaspace.com on our home page.**

WARNING:

It is important that RAILS be installed properly per the instructions below. If the system is incorrectly installed or assembled it could become unstable or collapse, possibly causing damage or injury.

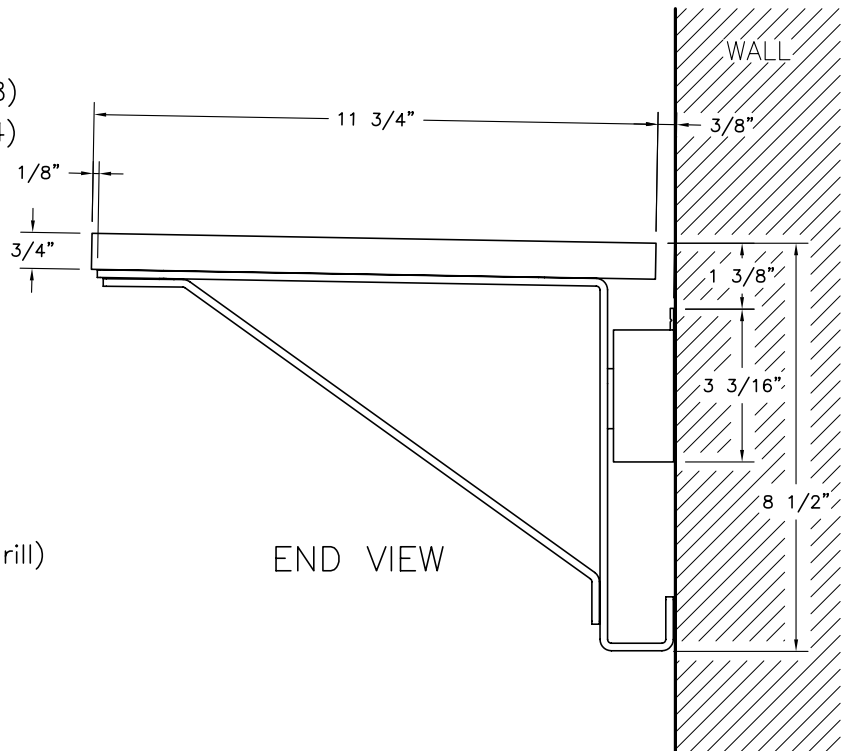


CONTENTS:

- A) RAIL (1) with End Caps (B)
- C) Brackets (4)
- F) Top Shelf
- G) #8 x 3/4" Phillips Panhead Screw (8)
- H) #10 x 2" Phillips Panhead Screw (14)

TOOLS:

- Impact drill for driving screws into studs (optional)
- Drill with 3/16" bit & APEX #2 Phillips screwdriver bit 2 3/4" long or longer
- 7/64" drill bit for pre-drilling studs (not needed if you have impact drill)
- Tape Measure
- Level



All parts were inspected prior to shipping. Should you encounter any problems please contact our Customer Care Manager at

877.350.RAIL(7245)

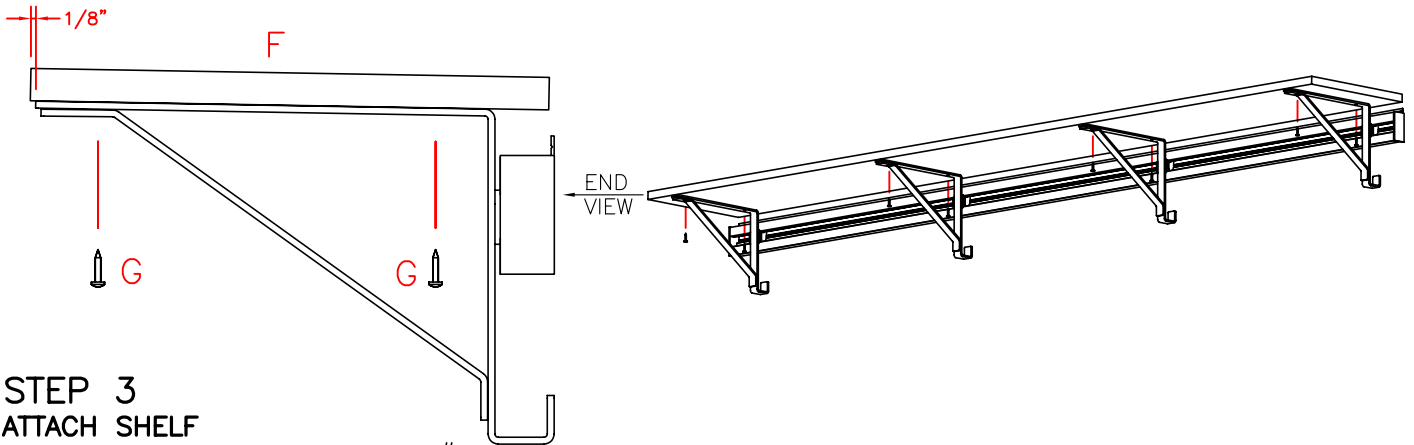
Monday thru Friday 9am-5pm EST.

or email us at CustomerService@pegRAIL.com

ARRANGE A SPACE

RCSS12 kit 88 RAIL with Shelf INSTALLATION GUIDE

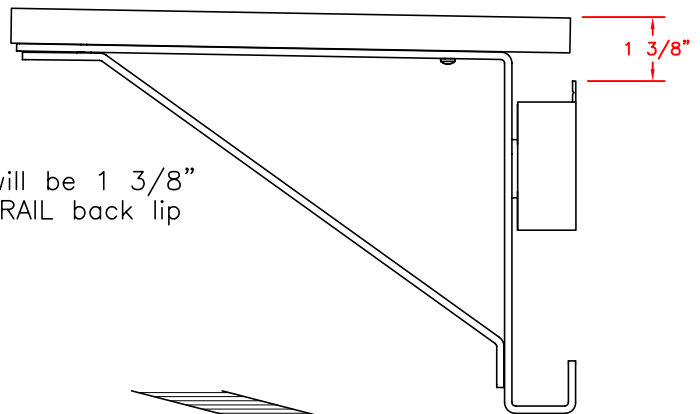
page 3



STEP 3 ATTACH SHELF

Fasten shelf to brackets with #8 self tapping screws from underside using Apex bit. No need to pre-drill

RAIL HEIGHT Placement



Top of shelf will be 1 3/8" above top of RAIL back lip

When installing with other shelves 12" is recommended from shelf top to shelf top.

