

ARRANGE A SPACE

RCSS12 kit 32–48 RAIL with Shelf INSTALLATION GUIDE

page 1

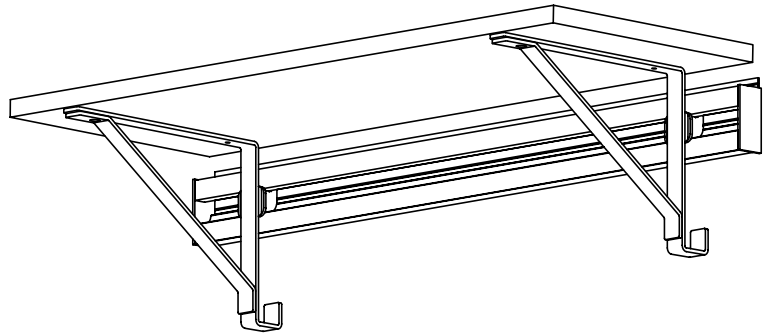
The instructions below will make installation & assembly as simple as possible. We recommend reading these instructions BEFORE beginning installation. Becoming familiar with all the components will also make your installation quick & easy. **Save time! Check out our 1 minute installation video overview at www.arrangeaspace.com on our home page.**

WARNING:

It is important that RAILS be installed properly per the instructions below. If the system is incorrectly installed or assembled it could become unstable or collapse, possibly causing damage or injury.

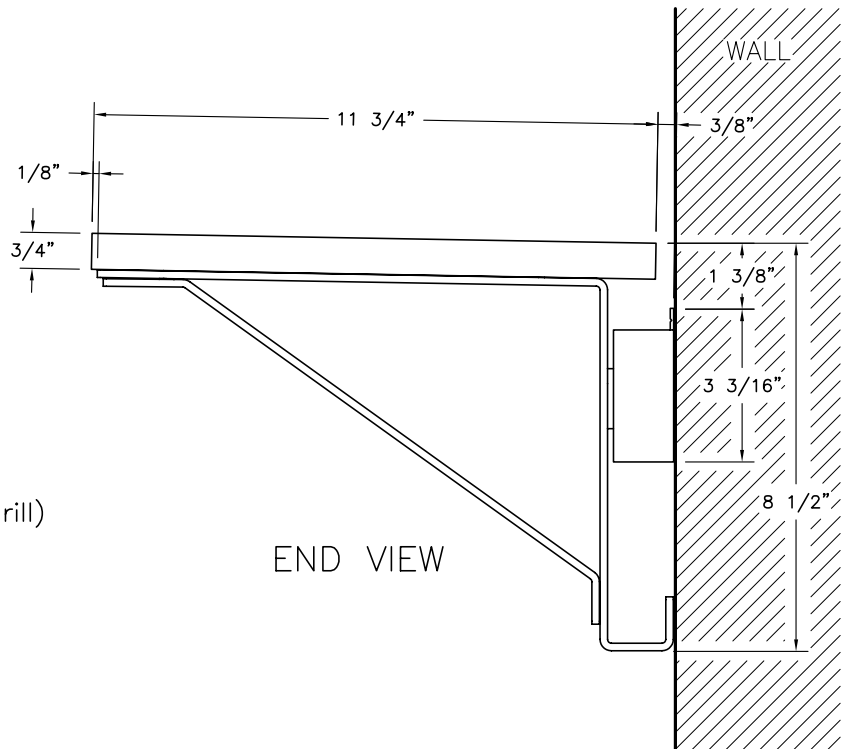
CONTENTS:

- A) RAIL (1) with End Caps (B)
- C) Brackets (2)
- F) Top Shelf
- G) #8 x 3/4" Phillips Panhead Screw (4)
- H) #10 x 2" Phillips Panhead Screw (6)
(8 included for 48" RAIL)



TOOLS:

- Impact drill for driving screws into studs (optional)
- Drill with 3/16" bit & APEX #2 Phillips screwdriver bit
2 3/4" long or longer
- 7/64" drill bit for pre-drilling studs
(not needed if you have impact drill)
- Tape Measure
- Level



All parts were inspected prior to shipping. Should you encounter any problems please contact our Customer Care Manager at 877.350.RAIL(7245) Monday thru Friday 9am–5pm EST. or email us at CustomerService@pegRAIL.com

A R R A N G E A S P A C E

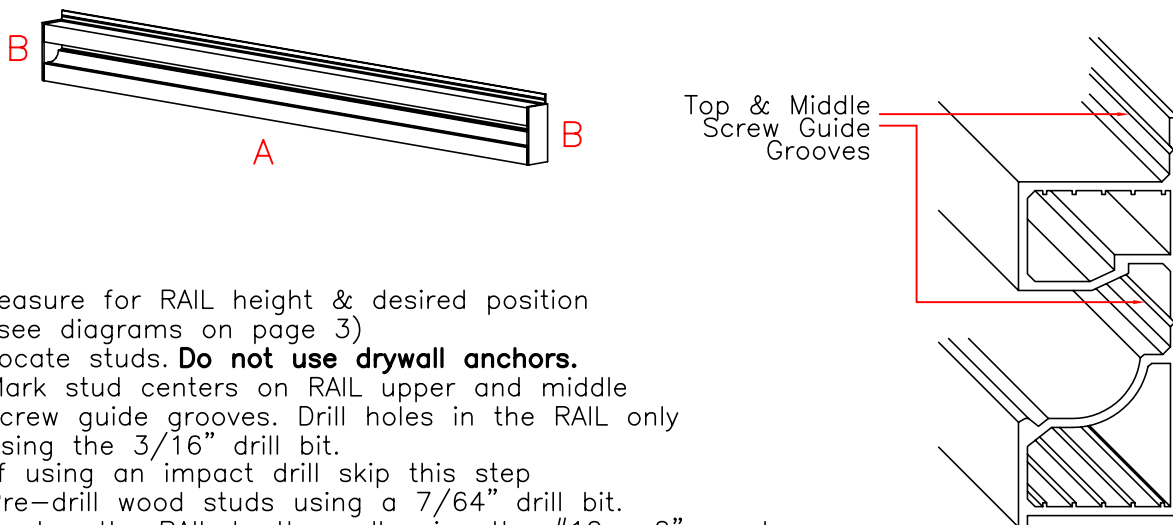
RCSS12 kit 32-48 RAIL with Shelf INSTALLATION GUIDE

page 2

STEP 1

MOUNT RAIL INTO WOOD STUDS

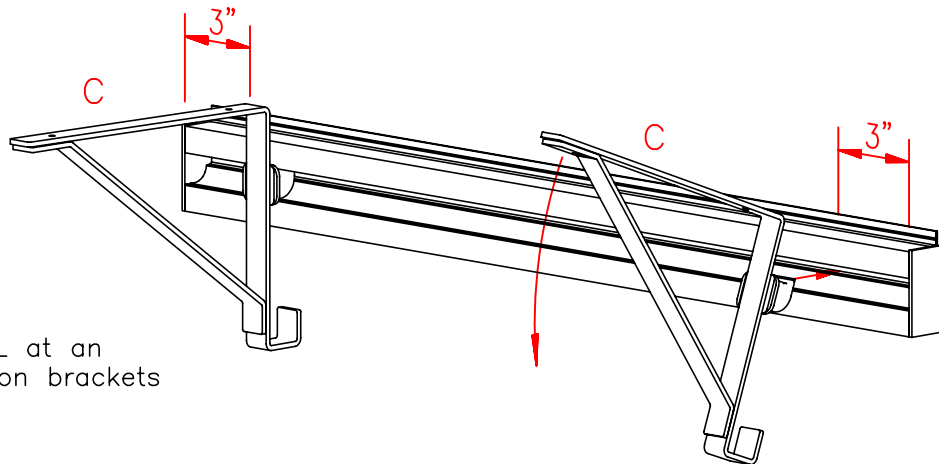
The RAIL must be mounted into the solid wood of wall studs. Standard stud spacing is 16" from center to center. RAIL can shift left or right as desired so long as it is supported by all available studs (at least 2). It is unsafe to mount the RAIL in any other manner. If you are unsure how to install the RAIL, please consult a qualified carpenter or handyman.



- Measure for RAIL height & desired position (see diagrams on page 3)
- Locate studs. **Do not use drywall anchors.** Mark stud centers on RAIL upper and middle screw guide grooves. Drill holes in the RAIL only using the 3/16" drill bit.
- If using an impact drill skip this step. Pre-drill wood studs using a 7/64" drill bit.
- Anchor the RAIL to the wall using the #10 x 2" wood screws (H) provided. Do not over tighten as RAIL can bend. Secure the top center screw first. **IMPORTANT - Make sure the RAIL is level before drilling mounting holes. If the RAIL is not level the system will not function properly.** Then attach the remaining screws.

STEP 2

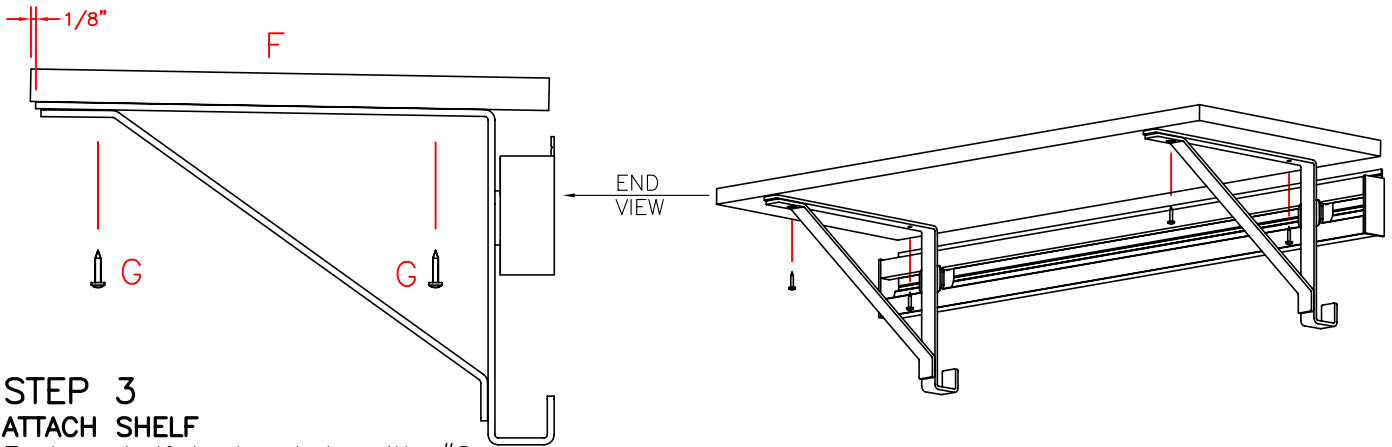
INSTALL BRACKETS



Insert bracket peg into RAIL at an angle and pull down. Position brackets 3" from each end of RAIL

ARRANGE A SPACE

RCSS12 kit 32-48 RAIL with Shelf INSTALLATION GUIDE

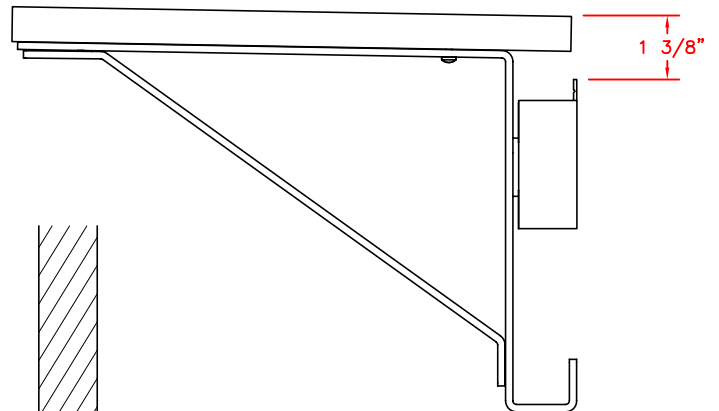
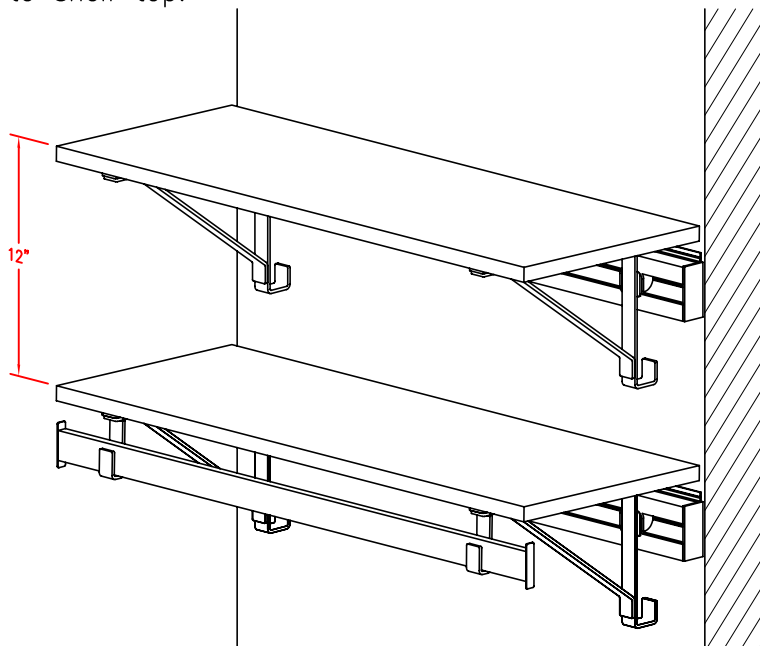


STEP 3 ATTACH SHELF

Fasten shelf to brackets with #8 self tapping screws from underside using Apex bit. No need to pre-drill

RAIL HEIGHT Placement

When installing with other shelves 12" is recommended from shelf top to shelf top.



Top of shelf will be 1 3/8" above top of RAIL back lip