

ARRANGE A SPACE

RCSCU kit 48–74 Single Shelf Single Hang with Cubby INSTALLATION GUIDE

page 1

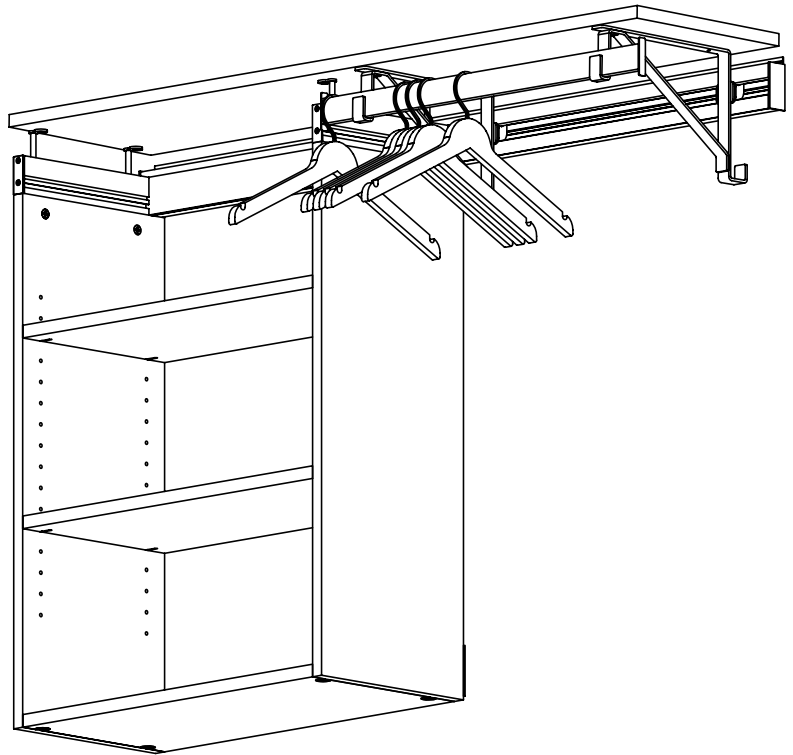
The instructions below will make installation & assembly as simple as possible. We recommend reading these instructions BEFORE beginning installation. Becoming familiar with all the components will also make your installation quick & easy. **Save time! Check out our 1 minute installation video overview at www.arrangeaspace.com on our home page.**

WARNING:

It is important that RAILS be installed properly per the instructions below. If the system is incorrectly installed or assembled it could become unstable or collapse, possibly causing damage or injury.

CONTENTS:

- A) RAIL w/ End Caps
- B) Brackets (2)
- C-1) Cubby Wall (Left)
- C-2) Cubby Wall (Right)
- C-3) Cubby Bottom
- C-4) Cubby Shelf (2)
- C-5) Cubby Screw Pack
 - Wall Connector Bolt (4)
 - Bottom Shelf Connector Bolt (4)
 - Figure "8" Clip (4)
 - 5/16" Dia. X 1 1/2" Standoff (4)
 - #8-32 x 2 3/8" Flathead Bolt (4)
 - 5mm x 1" Shelf Support Pins (8)
- C-6) "U" Shaped Cubby Bracket
- D) Hangbar End Caps (2)
- E) Hangbar
- F) Top Shelf
- G) #8 x 3/4" Phillips Panhead Screw(8)
- H) #10 x 2" Phillips Panhead Screw
 - 48"–56" (8), 57"–72" (10)
 - 73"–74" (12)



TOOLS:

- Impact Drill for driving screws into studs (optional)
- Drill with 3/16" bit & APEX #2 Phillips Screwdriver Bit 2 3/4" long or longer
- 7/64" Drill Bit for pre-drilling studs (not needed if you have impact drill)
- #1 and #2 Hand Held Phillips Screwdrivers
- Rubber Mallet or hammer with wood block
- Tape Measure
- Level

All parts were inspected prior to shipping. Should you encounter any problems

**please contact our Customer Care Manager at
877.350.RAIL(7245)**

**Monday thru Friday 9am–5pm EST.
or email us at CustomerService@pegRAIL.com**

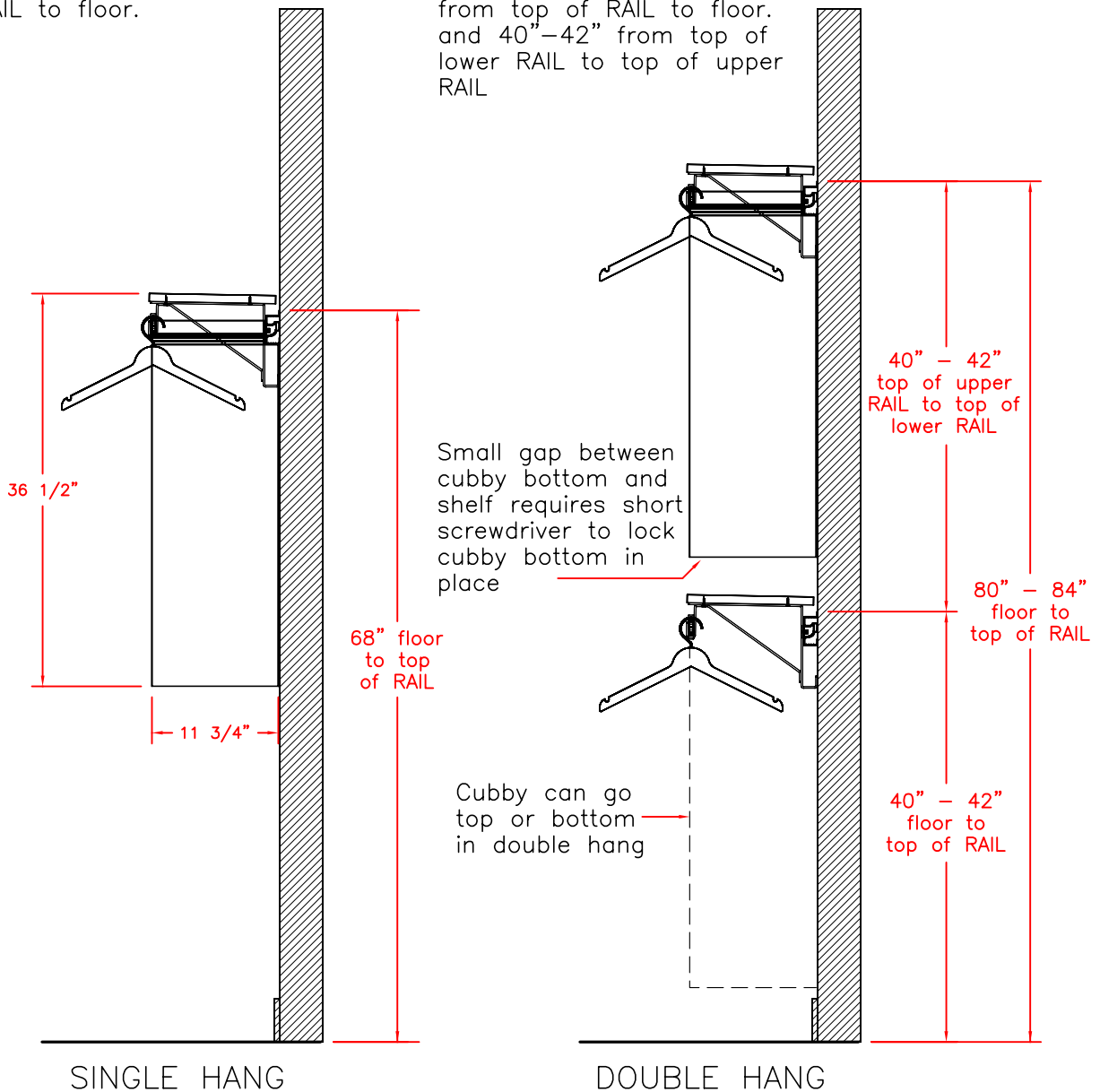
ARRANGE A SPACE

RCSCU kit 48-74 Single Shelf Single Hang with Cubby INSTALLATION GUIDE

RAIL HEIGHT

Recommended RAIL height for single hang is 68" from top of RAIL to floor.

Recommended RAIL height for double hang is 40"-42" from top of RAIL to floor. and 40"-42" from top of lower RAIL to top of upper RAIL



All parts were inspected prior to shipping. Should you encounter any problems please contact our Customer Care Manager at

877.350.RAIL(7245)

Monday thru Friday 9am-5pm EST.

or email us at CustomerService@pegRAIL.com

ARRANGE A SPACE

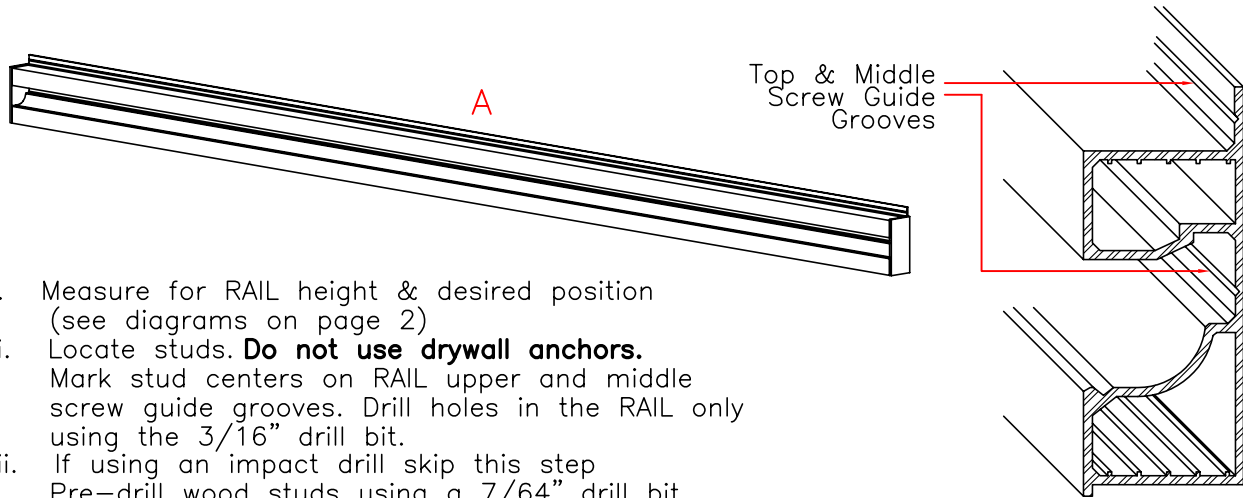
RCSCU kit 48-74 Single Shelf Single Hang with Cubby INSTALLATION GUIDE

page 3

STEP 1

MOUNT RAIL INTO WOOD STUDS

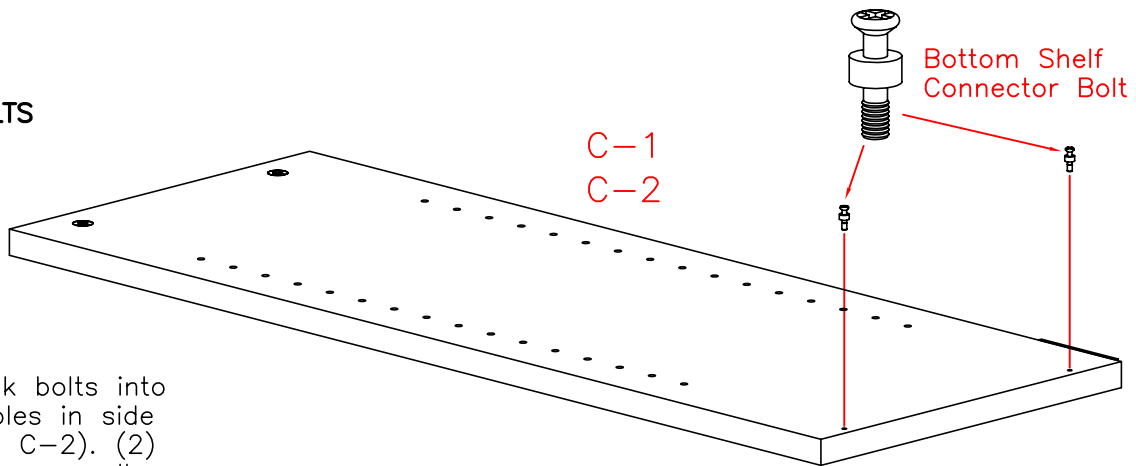
The RAIL must be mounted into the solid wood of wall studs. Standard stud spacing is 16" from center to center. RAIL can shift left or right as desired so long as it is supported by all available studs. It is unsafe to mount the RAIL in any other manner. If you are unsure how to install the RAIL, please consult a qualified carpenter or handyman.



- Measure for RAIL height & desired position (see diagrams on page 2)
- Locate studs. **Do not use drywall anchors.** Mark stud centers on RAIL upper and middle screw guide grooves. Drill holes in the RAIL only using the 3/16" drill bit.
- If using an impact drill skip this step. Pre-drill wood studs using a 7/64" drill bit.
- Anchor the RAIL to the wall using the #10 x 2" wood screws (H) provided. Do not over tighten as RAIL can bend. Secure the top center screw first. **IMPORTANT – Make sure the RAIL is level before drilling mounting holes. If the RAIL is not level the system will not function properly.** Then attach the remaining screws.

STEP 2

SIDE WALLS: CAMLOCK BOLTS

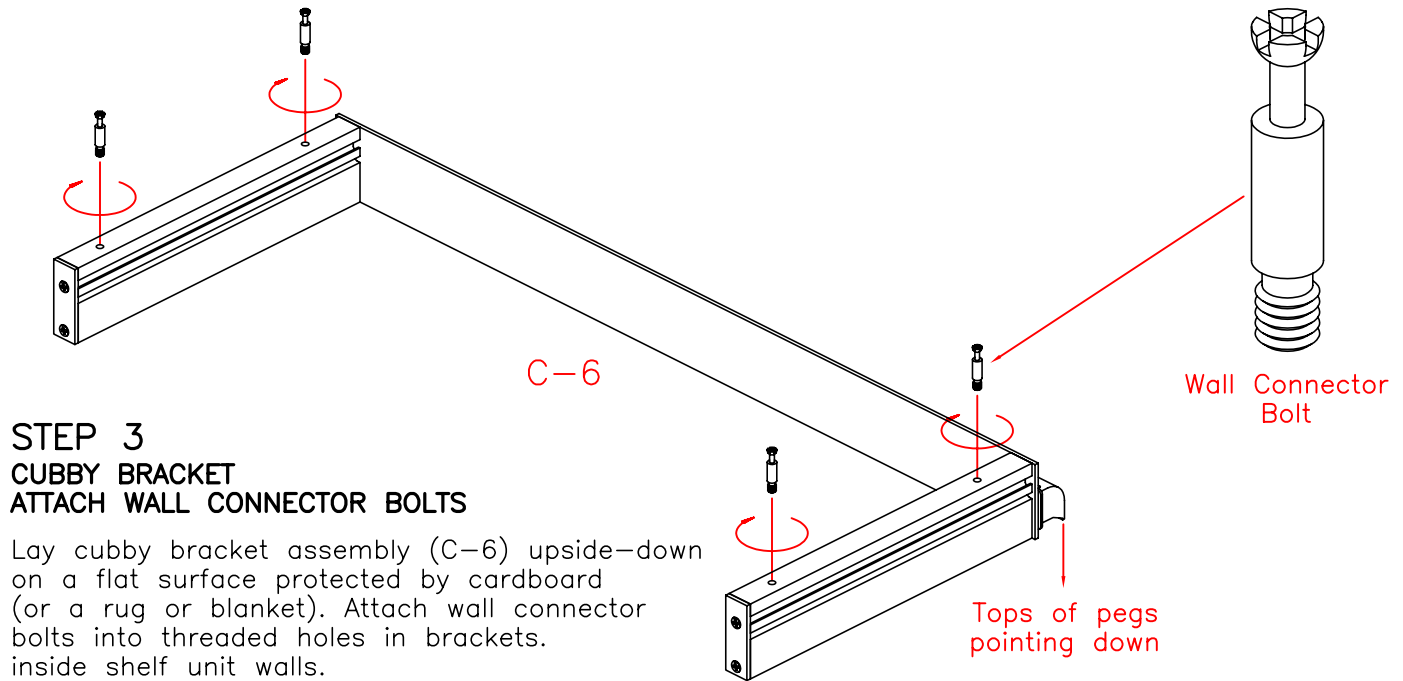


Screw camlock bolts into pre-drilled holes in side walls (C-1 & C-2). (2) camlock bolts per wall

ARRANGE A SPACE

RCSCU kit 48-74 Single Shelf Single Hang with Cubby INSTALLATION GUIDE

page 4

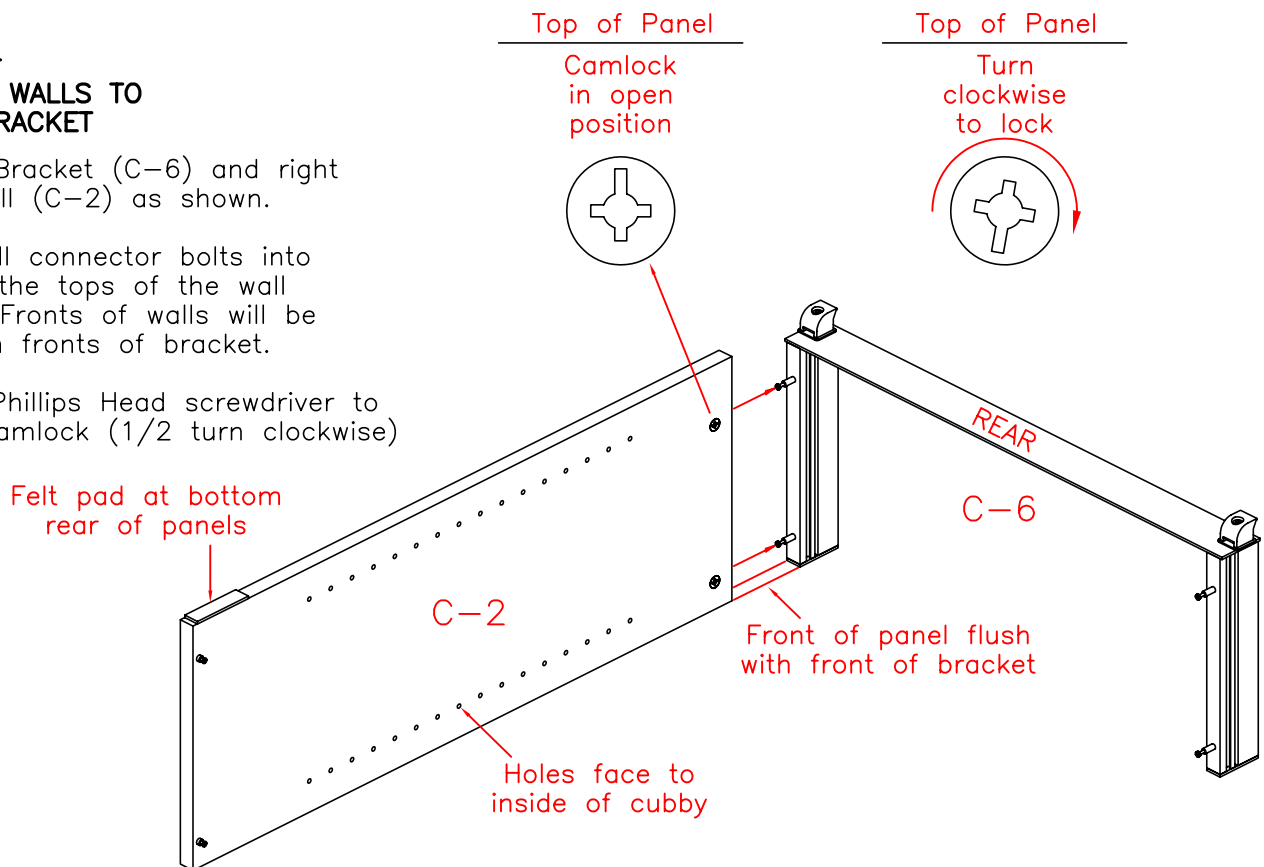


STEP 4 **CONNECT WALLS TO** **CUBBY BRACKET**

Position Bracket (C-6) and right cubby wall (C-2) as shown.

Insert wall connector bolts into holes in the tops of the wall panels. Fronts of walls will be flush with fronts of bracket.

Use #2 Phillips Head screwdriver to tighten camlock (1/2 turn clockwise)

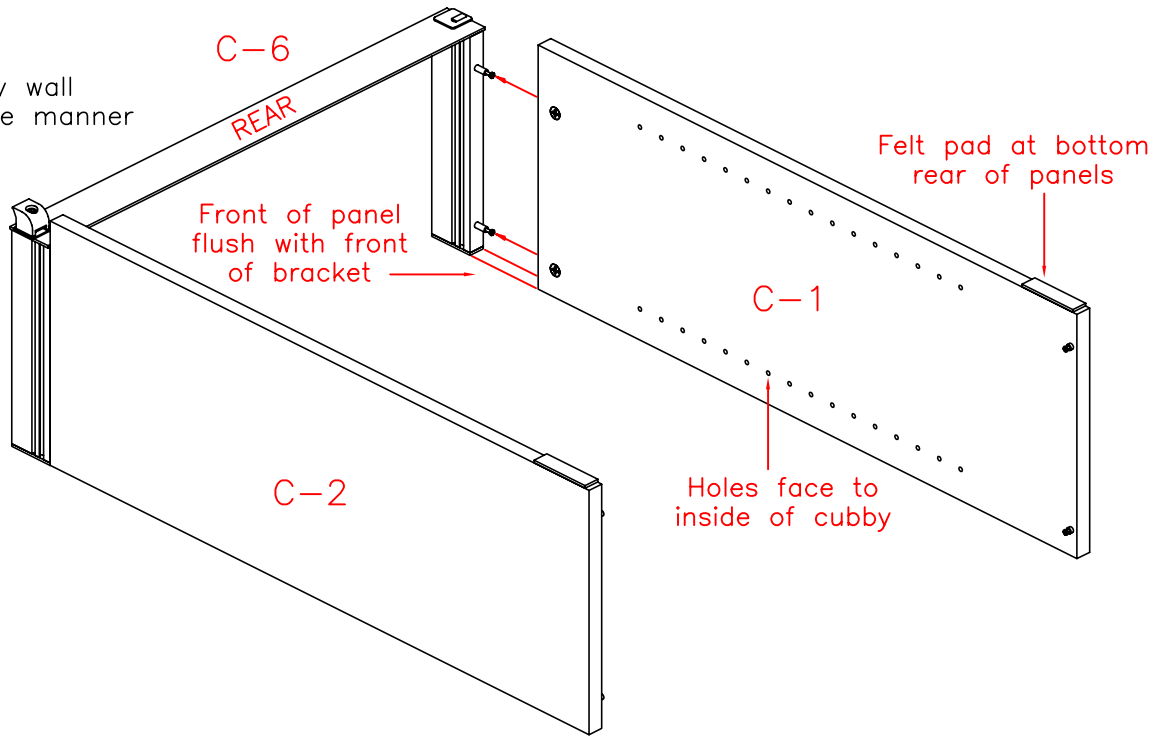


ARRANGE A SPACE

RCSCU kit 48-74 Single Shelf Single Hang with Cubby INSTALLATION GUIDE

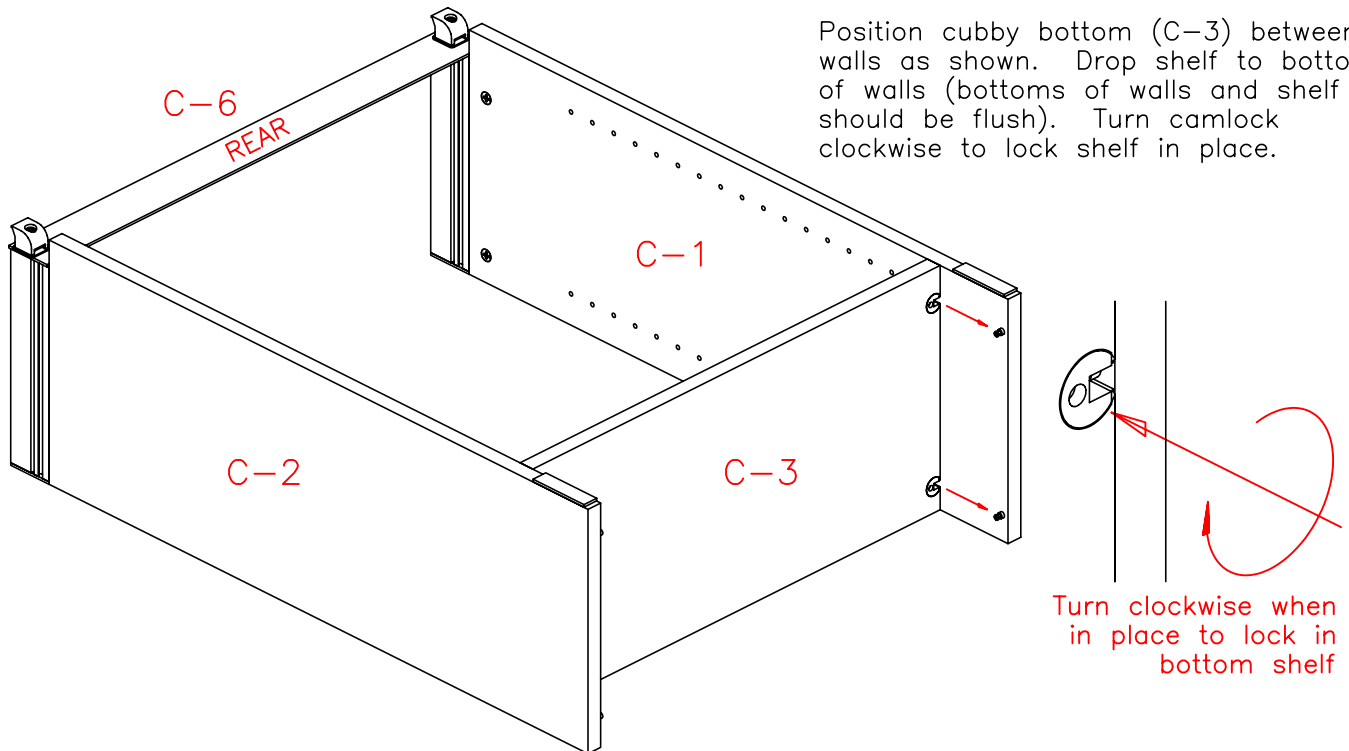
STEP 4 (continued)

Connect left cubby wall (C-1) in the same manner



STEP 5 CUBBY BOTTOM

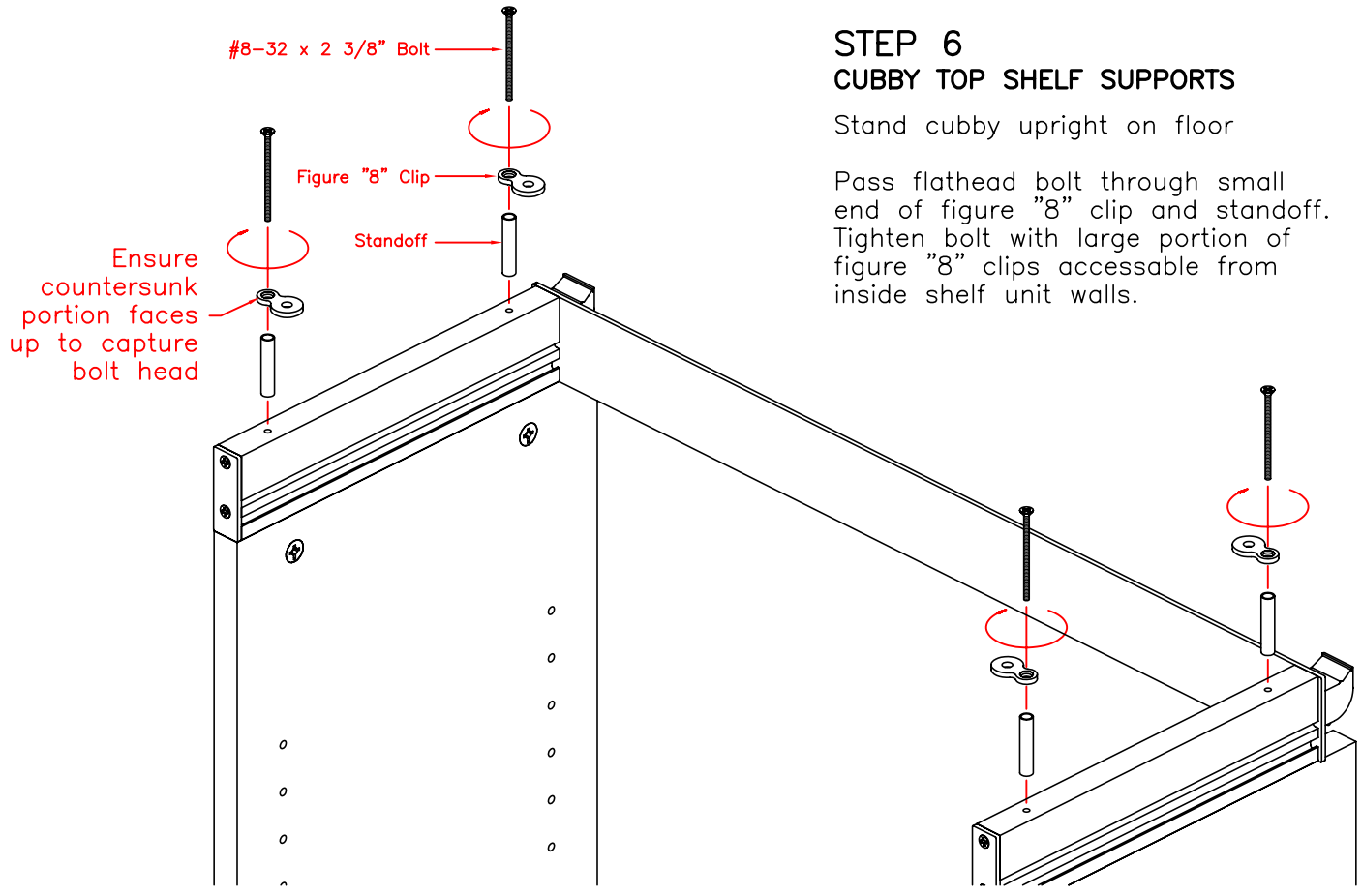
Position cubby bottom (C-3) between walls as shown. Drop shelf to bottom of walls (bottoms of walls and shelf should be flush). Turn camlock clockwise to lock shelf in place.



ARRANGE A SPACE

RCSCU kit 48-74 Single Shelf Single Hang with Cubby INSTALLATION GUIDE

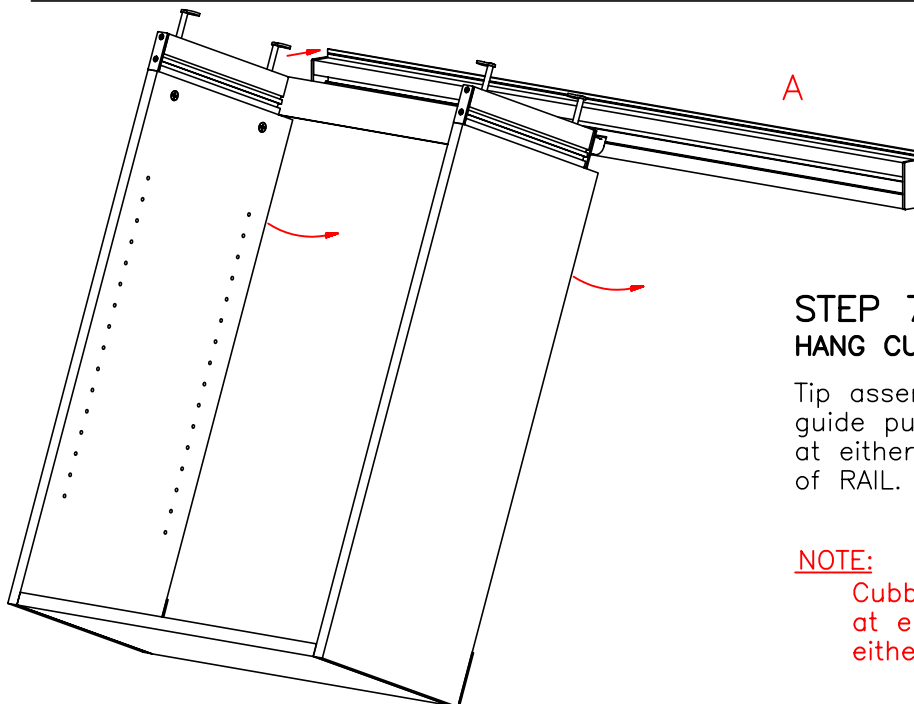
page 6



STEP 6 CUBBY TOP SHELF SUPPORTS

Stand cubby upright on floor

Pass flathead bolt through small end of figure "8" clip and standoff. Tighten bolt with large portion of figure "8" clips accessible from inside shelf unit walls.



STEP 7 HANG CUBBY ON RAIL

Tip assembled cubby and guide pucks into RAIL (A) at either right or left end of RAIL.

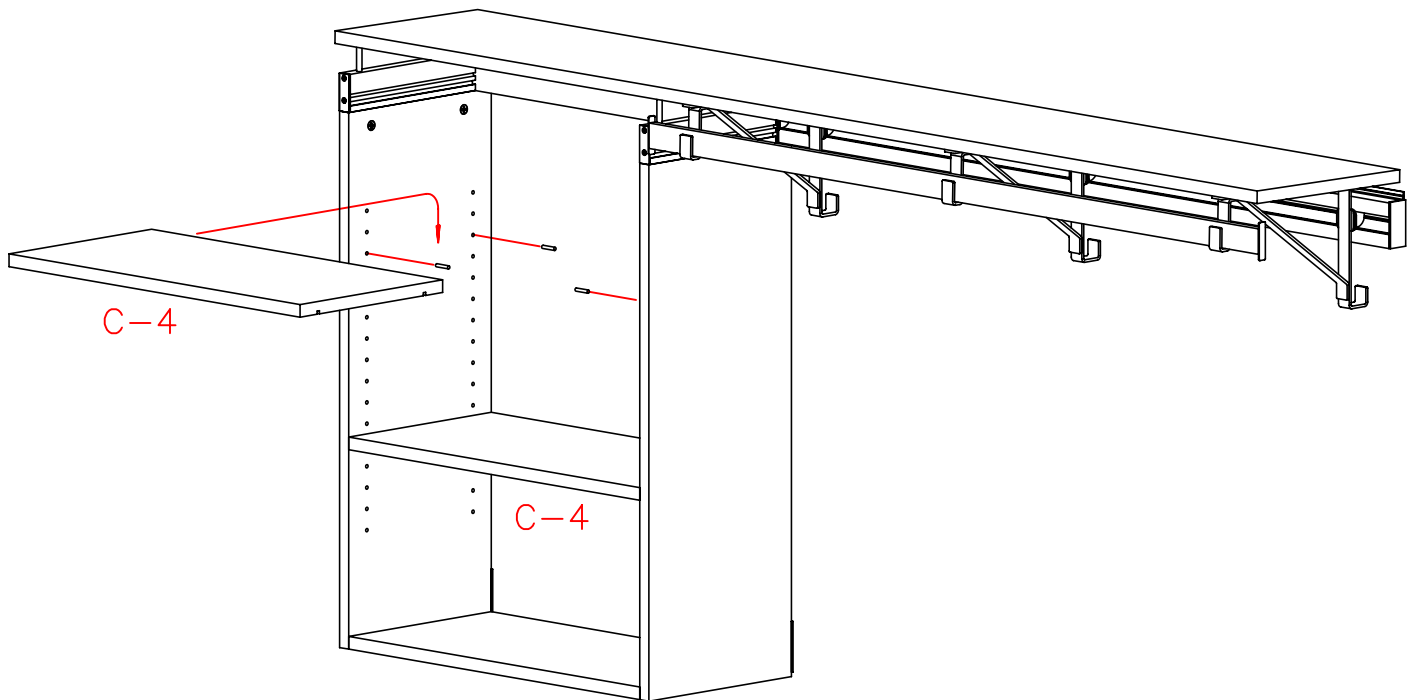
NOTE:

Cubby needs to be placed at end of RAIL. Can be either left or right end.

ARRANGE A SPACE

RCSCU kit 48-74 Single Shelf Single Hang with Cubby INSTALLATION GUIDE

page 8



STEP 10 ADJUSTABLE SHELVES

Use shelf pins to support adjustable shelves (C-4) as desired inside completed cubby unit.

Cutouts on bottom of shelves fit over shelf pins to hold shelves