

A R R A N G E A S P A C E

RCMSY kit 88 Hangbar with Top Shelf INSTALLATION GUIDE

page 1

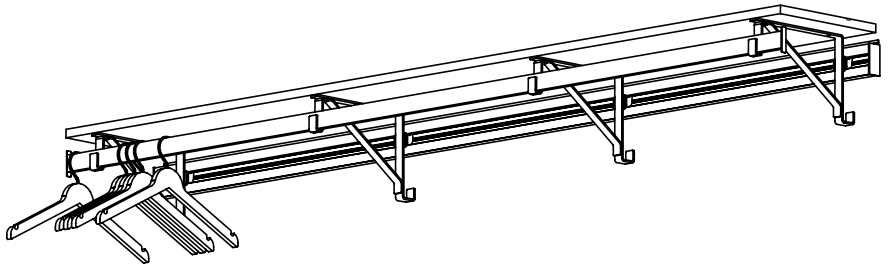
The instructions below will make installation & assembly as simple as possible. We recommend reading these instructions BEFORE beginning installation. Becoming familiar with all the components will also make your installation quick & easy. **Save time! Check out our 1 minute installation video overview at www.arrangeaspace.com on our home page.**

WARNING:

It is important that RAILS be installed properly per the instructions below. If the system is incorrectly installed or assembled it could become unstable or collapse, possibly causing damage or injury.

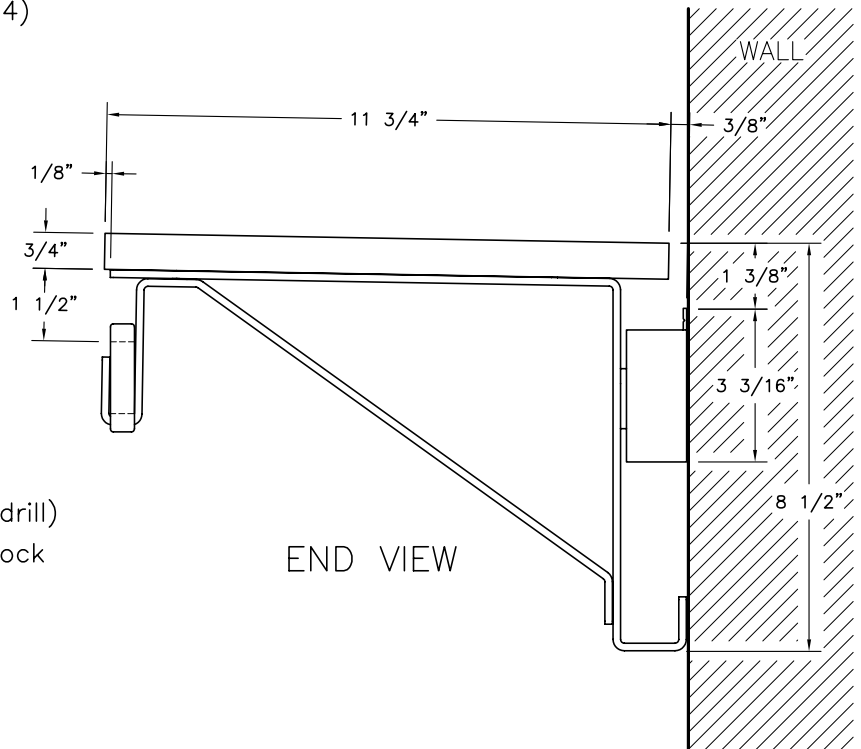
CONTENTS:

- A) RAIL (1) with End Caps (B)
- C) Brackets (3)
- D) Hangbar End Caps (2)
- E) Hangbar
- F) Top Shelf
- G) #8 x 3/4" Phillips Panhead Screw (8)
- H) #10 x 2" Phillips Panhead Screw (14)



TOOLS:

- Impact drill for driving screws into studs (optional)
- Drill with 3/16" bit & APEX #2 Phillips screwdriver bit 2 3/4" long or longer
- 7/64" drill bit for pre-drilling studs (not needed if you have impact drill)
- Rubber mallet or hammer with wood block
- Tape Measure
- Level

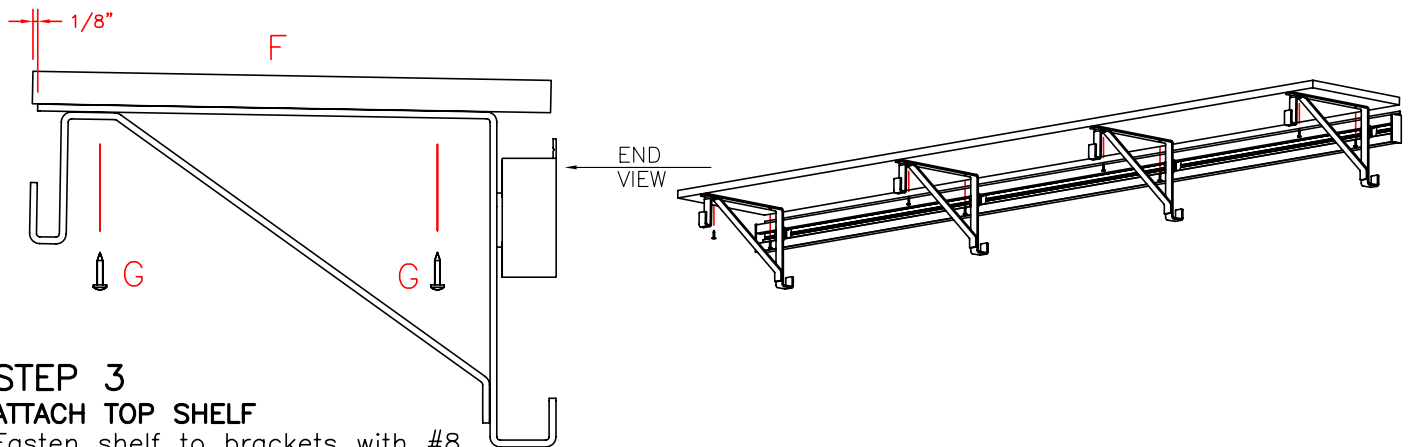


All parts were inspected prior to shipping. Should you encounter any problems please contact our Customer Care Manager at **877.350.RAIL(7245)** Monday thru Friday 9am-5pm EST. or email us at CustomerService@pegRAIL.com

ARRANGE A SPACE

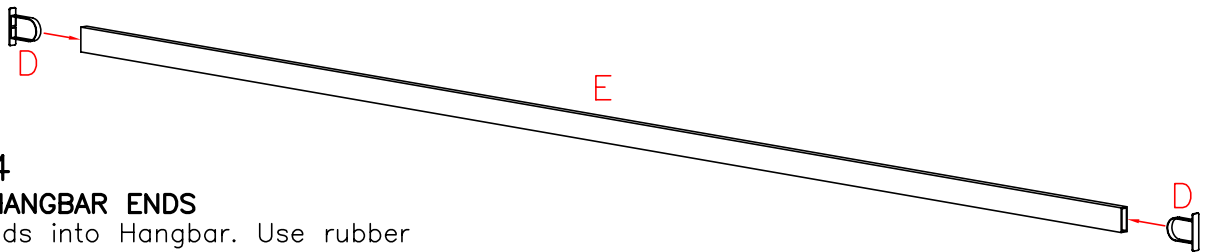
RCMSY kit 88 Hangbar with Top Shelf INSTALLATION GUIDE

page 3



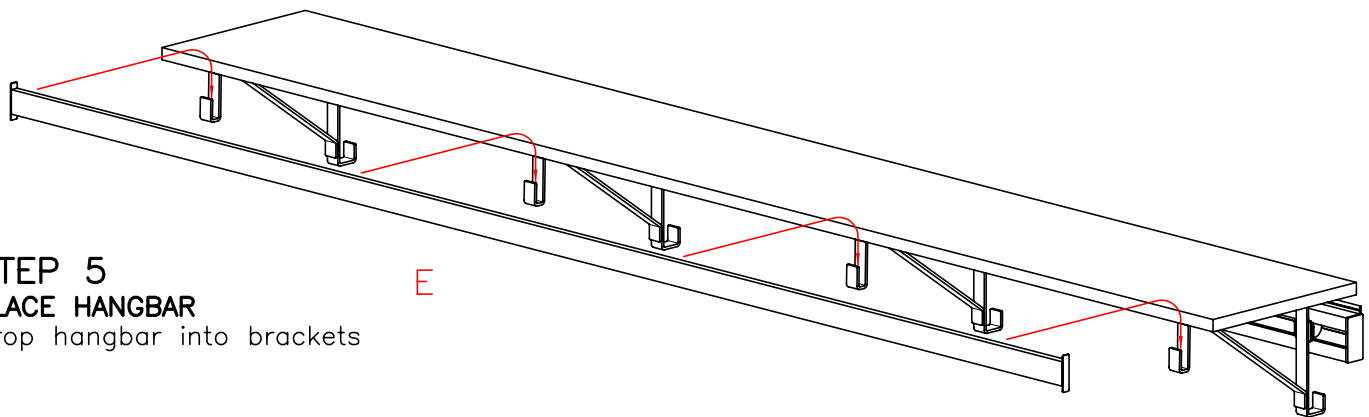
STEP 3 ATTACH TOP SHELF

Fasten shelf to brackets with #8 self tapping screws from underside using Apex bit. No need to pre-drill



STEP 4 INSERT HANGBAR ENDS

Insert Ends into Hangbar. Use rubber mallet or hammer with wood block to protect finish



STEP 5 PLACE HANGBAR

Drop hangbar into brackets

ARRANGE A SPACE

RCMSY kit 88 Hangbar with Top Shelf INSTALLATION GUIDE

RAIL HEIGHTS Various configurations

