

# ARRANGE A SPACE

## RCMSY kit 52–84 Hangbar with Top Shelf INSTALLATION GUIDE

page 1

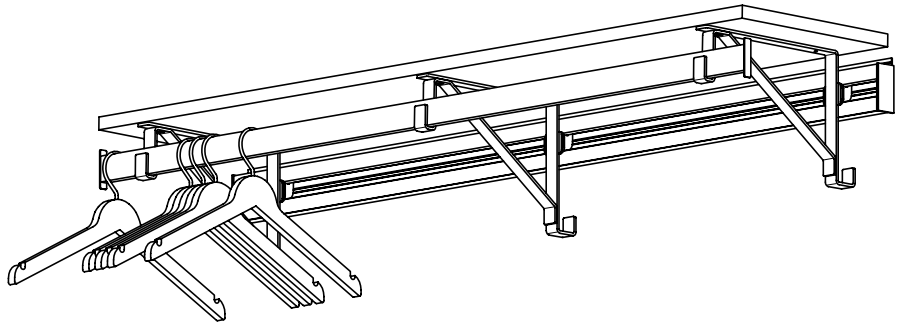
The instructions below will make installation & assembly as simple as possible. We recommend reading these instructions BEFORE beginning installation. Becoming familiar with all the components will also make your installation quick & easy. **Save time! Check out our 1 minute installation video overview at [www.arrangeaspace.com](http://www.arrangeaspace.com) on our home page.**

### WARNING:

It is important that RAILS be installed properly per the instructions below. If the system is incorrectly installed or assembled it could become unstable or collapse, possibly causing damage or injury.

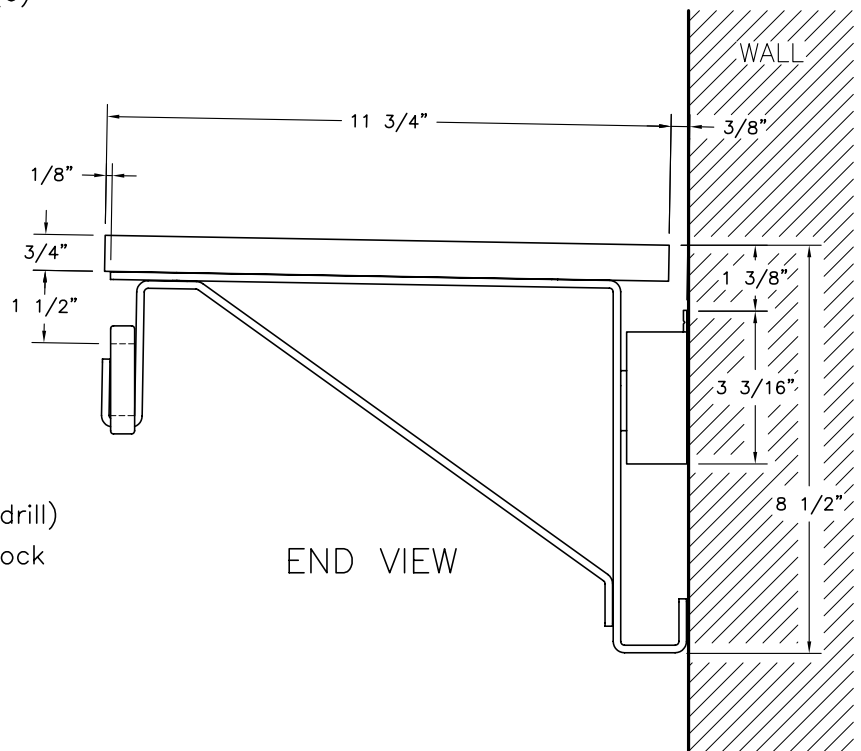
### CONTENTS:

- A) RAIL (1) with End Caps (B)
- C) Brackets (3)
- D) Hangbar End Caps (2)
- E) Hangbar
- F) Top Shelf
- G) #8 x 3/4" Phillips Panhead Screw (6)
- H) #10 x 2" Phillips Panhead Screw  
(8 for 52"+ shelf)  
(10 for 60"+ shelf)  
(12 for 72"+ shelf)



### TOOLS:

- Impact drill for driving screws into studs (optional)
- Drill with 3/16" bit & APEX #2 Phillips screwdriver bit 2 3/4" long or longer
- 7/64" drill bit for pre-drilling studs (not needed if you have impact drill)
- Rubber mallet or hammer with wood block
- Tape Measure
- Level



All parts were inspected prior to shipping. Should you encounter any problems please contact our Customer Care Manager at

877.350.RAIL(7245)

Monday thru Friday 9am–5pm EST.

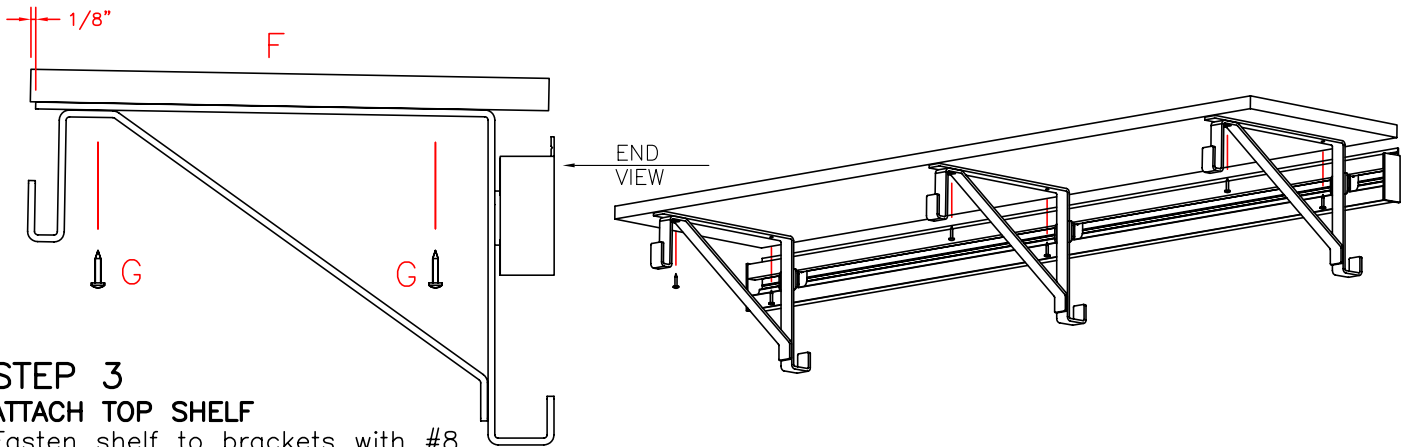
or email us at [CustomerService@pegRAIL.com](mailto:CustomerService@pegRAIL.com)



# ARRANGE A SPACE

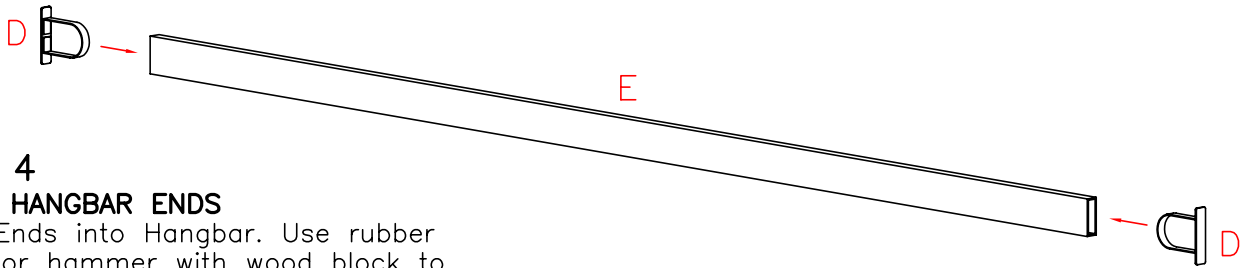
## RCMSY kit 52-84 Hangbar with Top Shelf INSTALLATION GUIDE

page 3



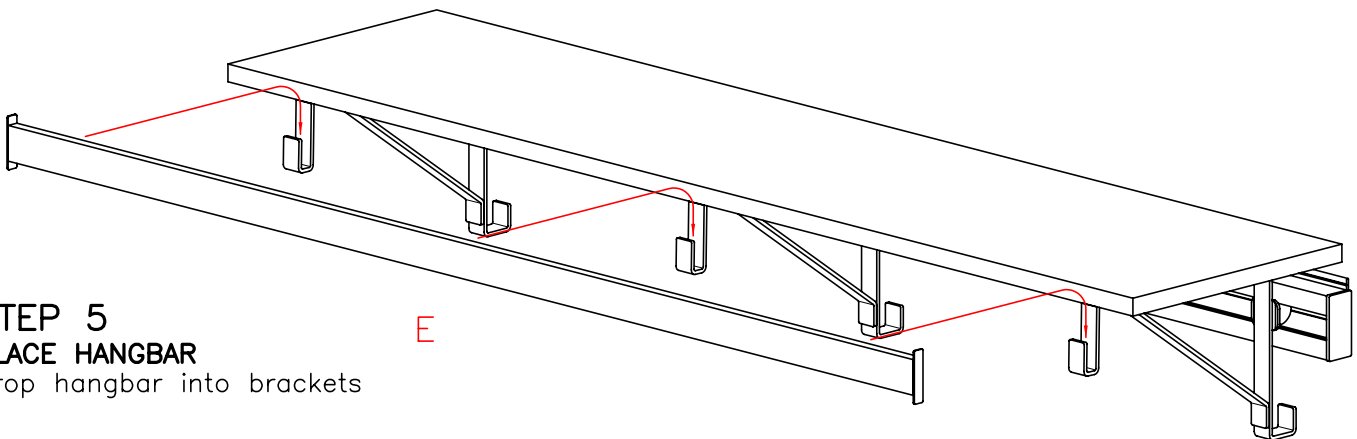
### STEP 3 ATTACH TOP SHELF

Fasten shelf to brackets with #8 self tapping screws from underside using Apex bit. No need to pre-drill



### STEP 4 INSERT HANGBAR ENDS

Insert Ends into Hangbar. Use rubber mallet or hammer with wood block to protect finish



### STEP 5 PLACE HANGBAR

Drop hangbar into brackets

# ARRANGE A SPACE

## RCMSY kit 52-84 Hangbar with Top Shelf INSTALLATION GUIDE

### RAIL HEIGHTS Various configurations

