

ARRANGE A SPACE

RCMCY kit 75–88 Double Shelf/Hang with Cubby & Long Hang INSTALLATION GUIDE

page 1

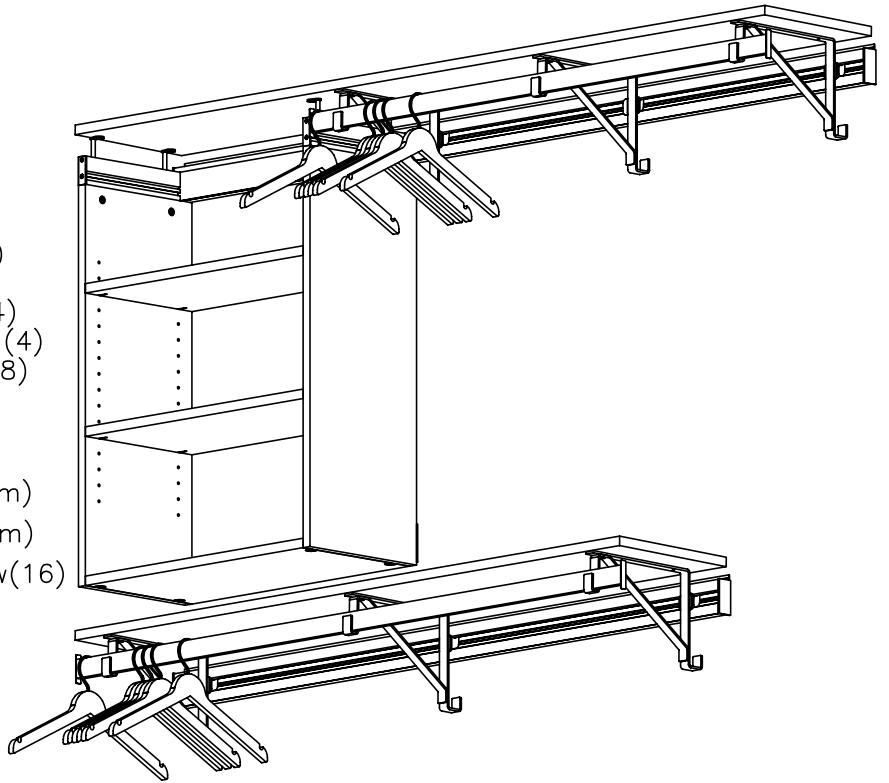
The instructions below will make installation & assembly as simple as possible. We recommend reading these instructions BEFORE beginning installation. Becoming familiar with all the components will also make your installation quick & easy. **Save time! Check out our 1 minute installation video overview at www.arrangeaspace.com on our home page.**

WARNING:

It is important that RAILS be installed properly per the instructions below. If the system is incorrectly installed or assembled it could become unstable or collapse, possibly causing damage or injury.

CONTENTS:

- A) RAIL w/ End Caps (A–1 Top & A–2 Bottom)
- B) Brackets (6)
- C–1) Cubby Wall (Left)
- C–2) Cubby Wall (Right)
- C–3) Cubby Bottom
- C–4) Cubby Shelf (2)
- C–5) Cubby Screw Pack
 - Wall Connector Bolt (4)
 - Bottom Shelf Connector Bolt (4)
 - Figure "8" Clip (4)
 - 5/16" Dia. X 1 1/2" Standoff (4)
 - #8–32 x 2 3/8" Flathead Bolt (4)
 - 5mm x 1" Shelf Support Pins (8)
- C–6) "U" Shaped Cubby Bracket
- D) Hangbar End Caps (4)
- E) Hangbars (E–1 Top & E–2 Bottom)
- F) Top Shelf (F–1 Top & F–2 Bottom)
- G) #8 x 3/4" Phillips Panhead Screw (16)
- H) #10 x 2" Phillips Panhead Screw
 - 75"–84" Top RAIL (22)
 - 85"–88" Top RAIL (24)



TOOLS:

- Impact Drill for driving screws into studs (optional)
- Drill with 3/16" bit & APEX #2 Phillips Screwdriver Bit 2 3/4" long or longer
- 7/64" Drill Bit for pre-drilling studs (not needed if you have impact drill)
- #1 and #2 Hand Held Phillips Screwdrivers
- Rubber Mallet or hammer with wood block
- Tape Measure
- Level

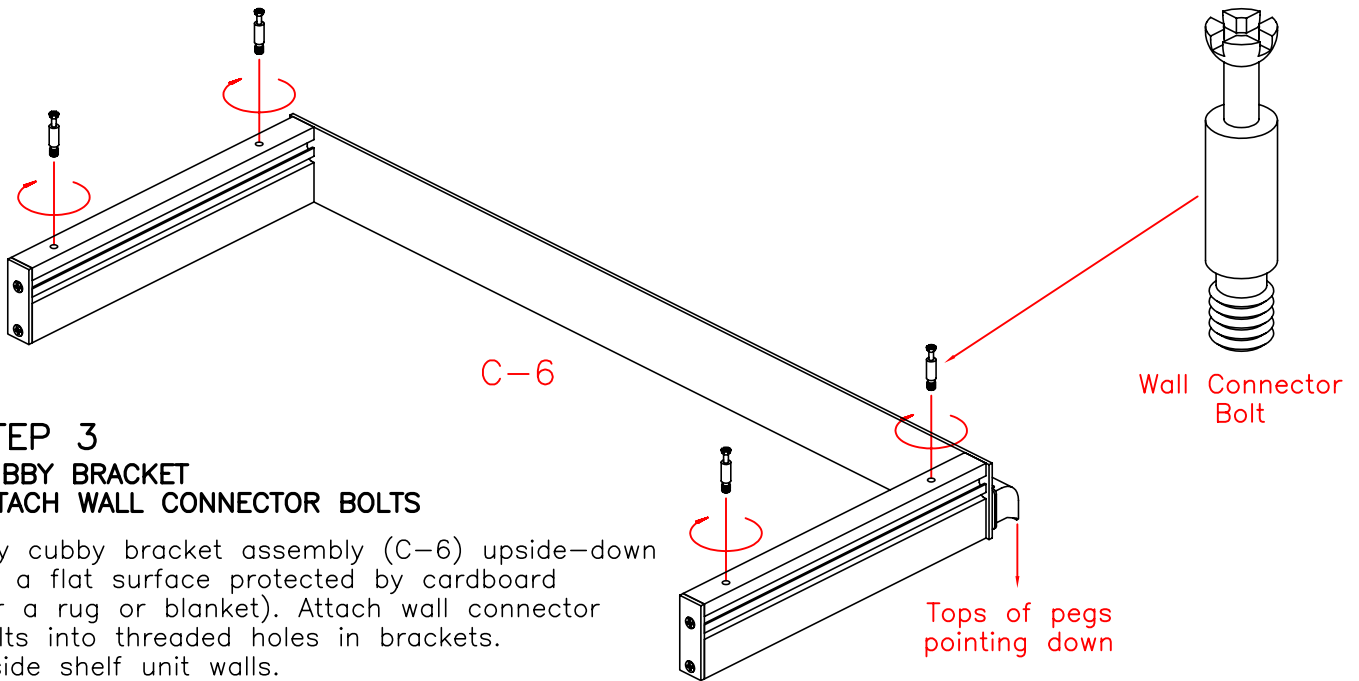
All parts were inspected prior to shipping. Should you encounter any problems please contact our Customer Care Manager at 877.350.RAIL(7245)

**Monday thru Friday 9am–5pm EST.
or email us at CustomerService@pegRAIL.com**

ARRANGE A SPACE

RCMCY kit 75-88 Double Shelf/Hang with Cubby & Long Hang INSTALLATION GUIDE

page 4

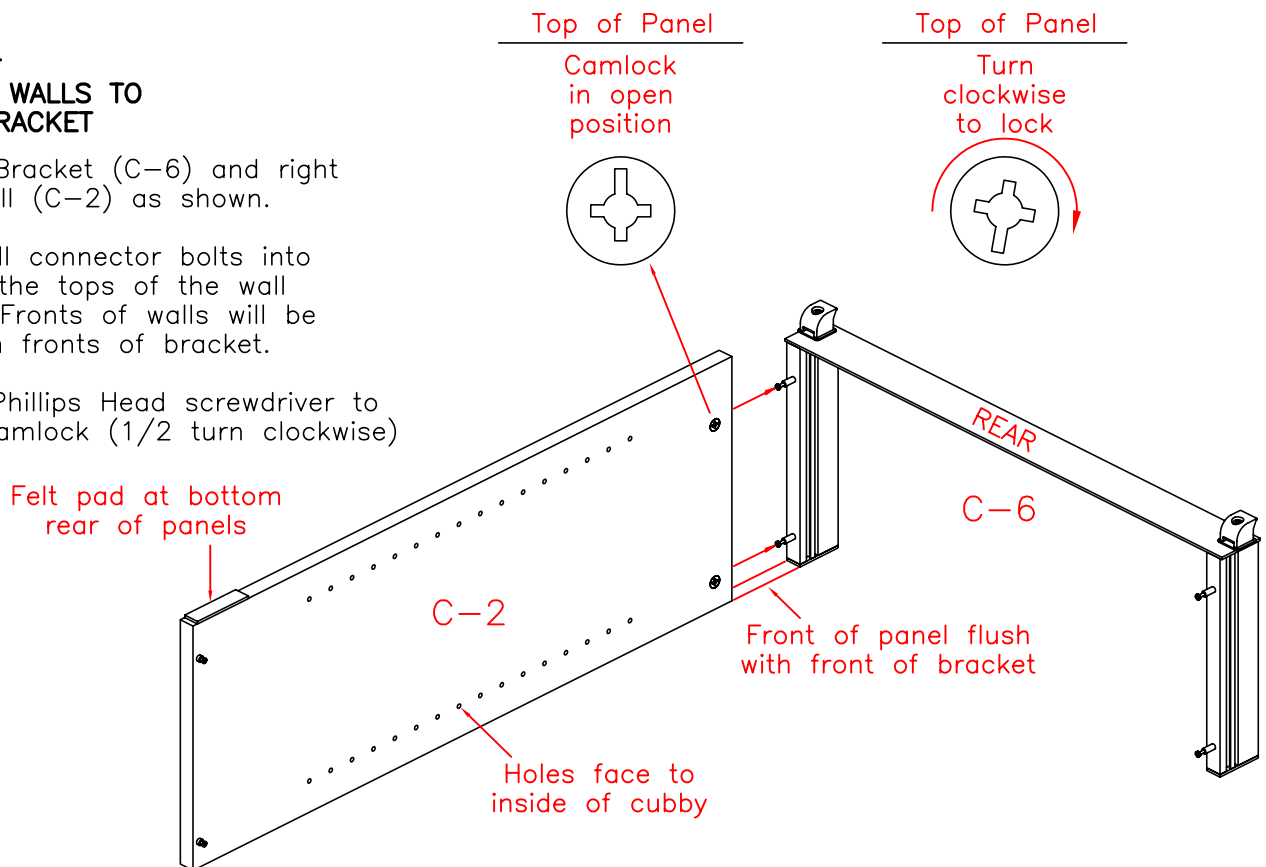


STEP 4 **CONNECT WALLS TO** **CUBBY BRACKET**

Position Bracket (C-6) and right cubby wall (C-2) as shown.

Insert wall connector bolts into holes in the tops of the wall panels. Fronts of walls will be flush with fronts of bracket.

Use #2 Phillips Head screwdriver to tighten camlock (1/2 turn clockwise)



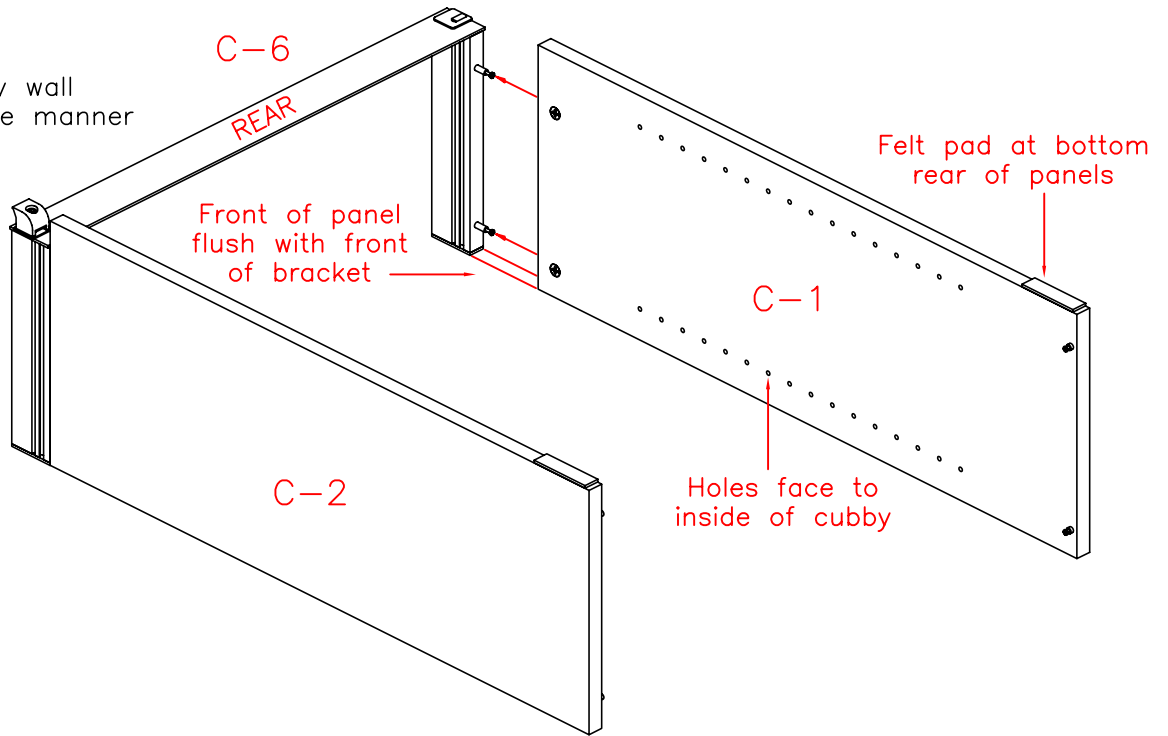
ARRANGE A SPACE

RCMCY kit 75-88 Double Shelf/Hang with Cubby & Long Hang
INSTALLATION GUIDE

page 5

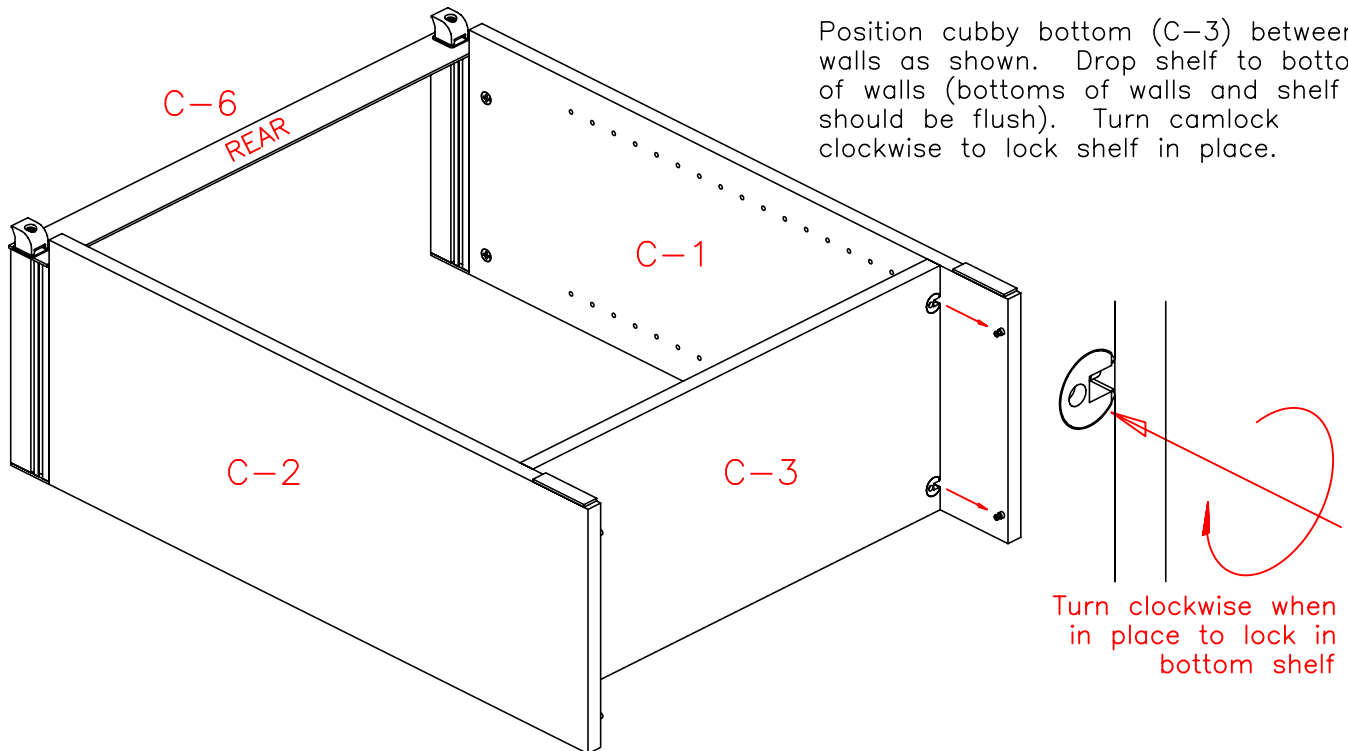
STEP 4 (continued)

Connect left cubby wall
(C-1) in the same manner



STEP 5 CUBBY BOTTOM

Position cubby bottom (C-3) between walls as shown. Drop shelf to bottom of walls (bottoms of walls and shelf should be flush). Turn camlock clockwise to lock shelf in place.



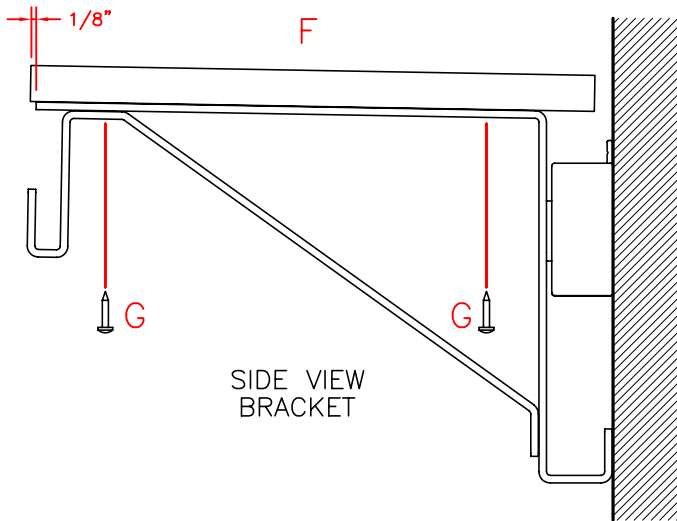
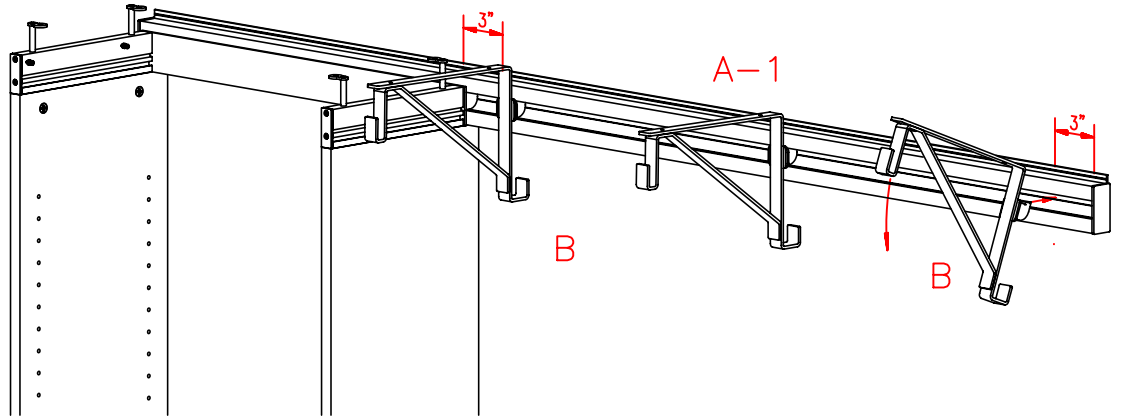
ARRANGE A SPACE

RCMCY kit 75-88 Double Shelf/Hang with Cubby & Long Hang
INSTALLATION GUIDE

page 7

STEP 8 PLACE TOP RAIL BRACKETS

Insert brackets (B) from front of RAIL at an angle and pull down. Make sure to position 3" from each end.

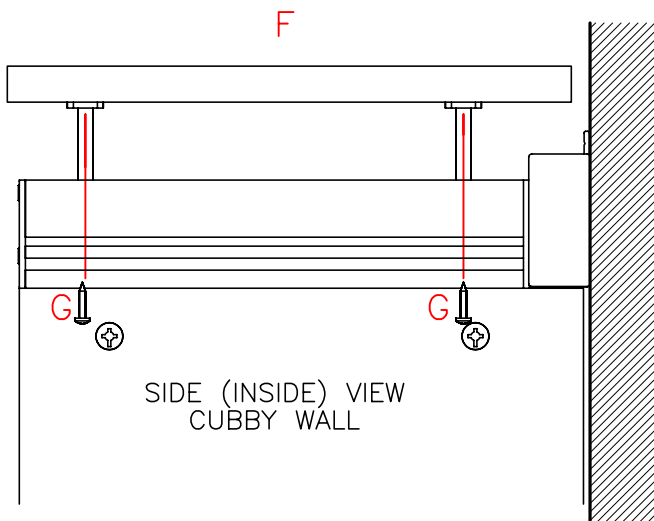


SIDE VIEW
BRACKET

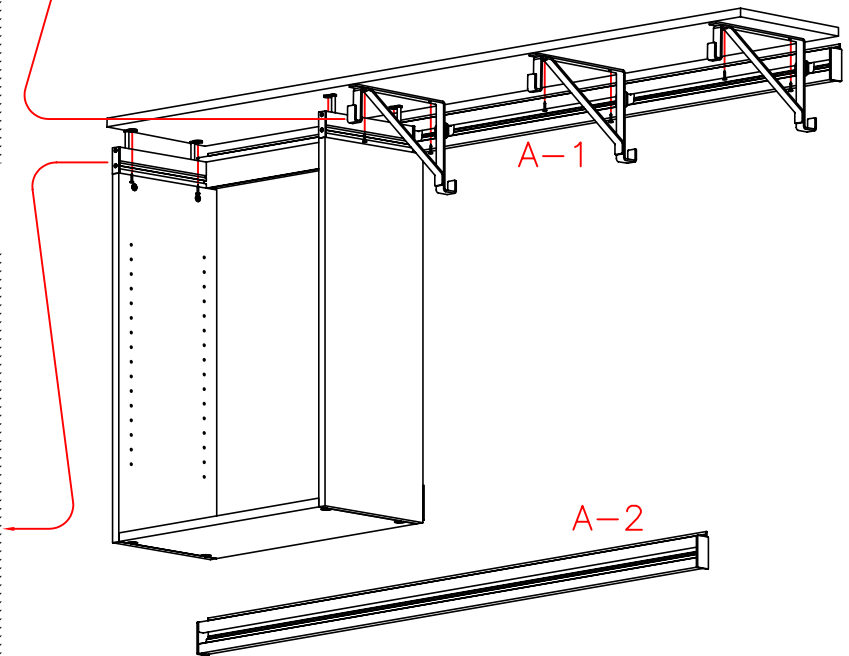
STEP 9 ATTACH TOP SHELF

Fasten shelf to brackets with #8 self tapping screws (G) from underside using Apex bit. No need to pre-drill

Fasten figure "8" clips on walls with #8 self tapping screws (G) from underside using Apex bit. No need to pre-drill



SIDE (INSIDE) VIEW
CUBBY WALL



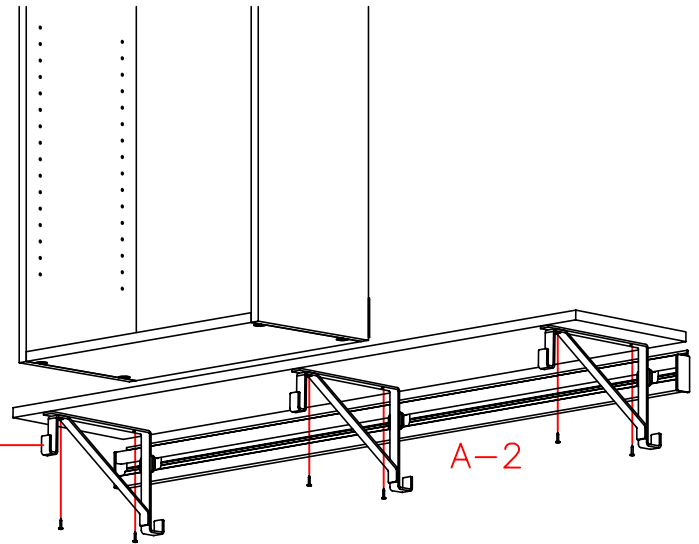
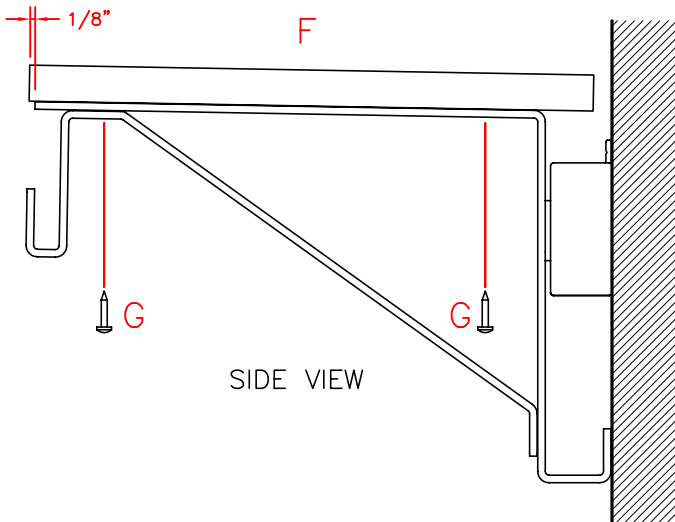
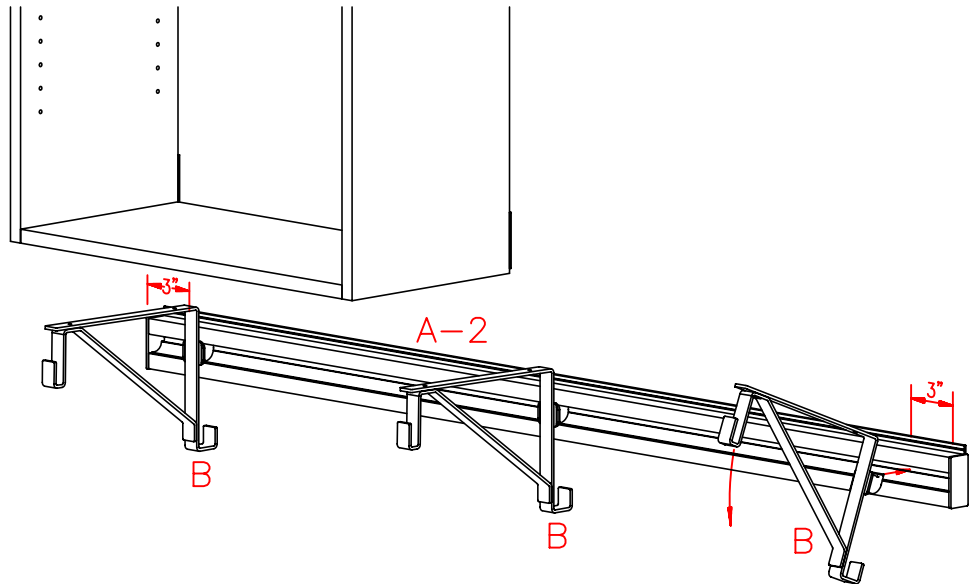
A R R A N G E A S P A C E

RCMCY kit 75-88 Double Shelf/Hang with Cubby & Long Hang INSTALLATION GUIDE

page 8

STEP 10 PLACE BOTTOM RAIL BRACKETS

Insert brackets (B) from front of RAIL at an angle and pull down. Make sure to position 3" from each end.



STEP 11 ATTACH TOP SHELF

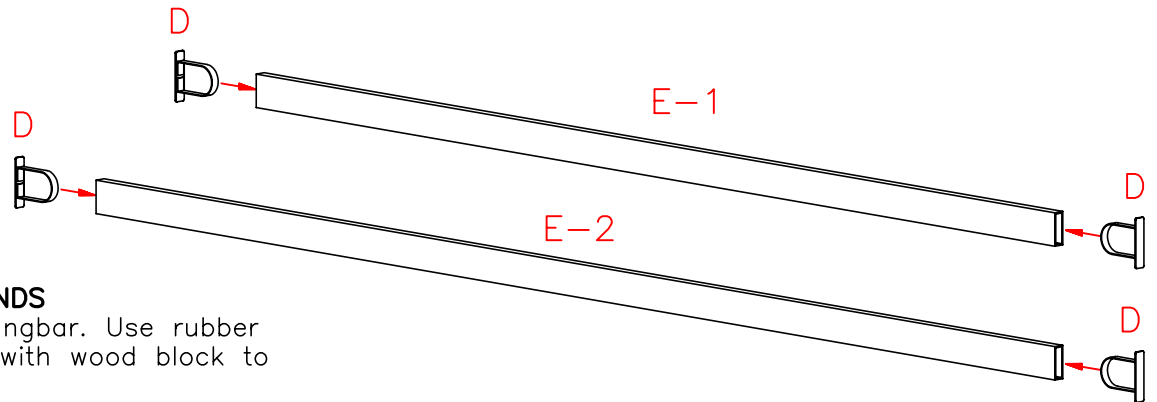
Fasten shelf to brackets with #8 self tapping screws (G) from underside using Apex bit. No need to pre-drill

Fasten figure "8" clips on walls with #8 self tapping screws (G) from underside using Apex bit. No need to pre-drill

ARRANGE A SPACE

RCMCY kit 75-88 Double Shelf/Hang with Cubby & Long Hang
INSTALLATION GUIDE

page 9

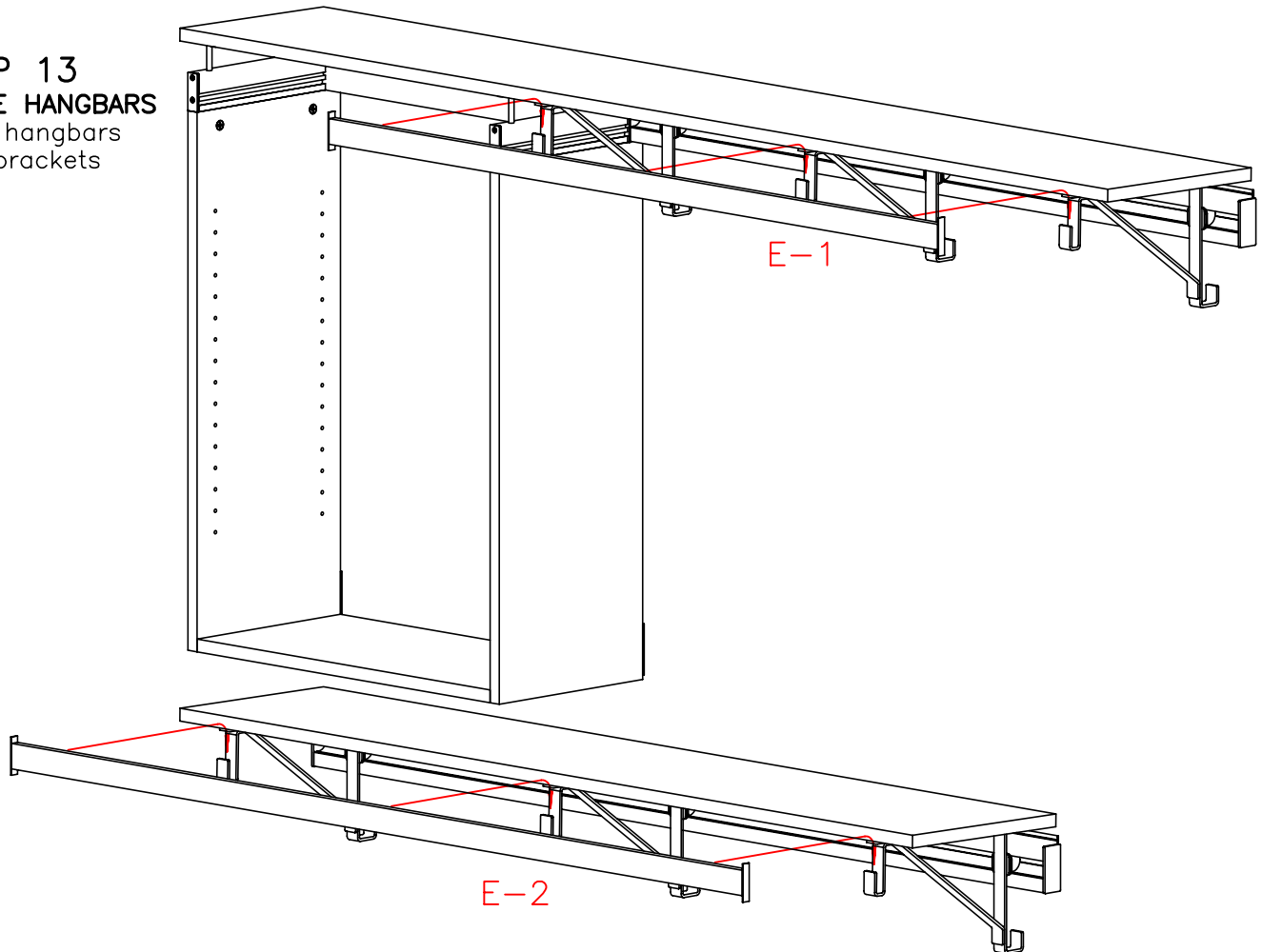


STEP 12 INSERT HANGBAR ENDS

Insert Ends into Hangbar. Use rubber mallet or hammer with wood block to protect finish

STEP 13 PLACE HANGBARS

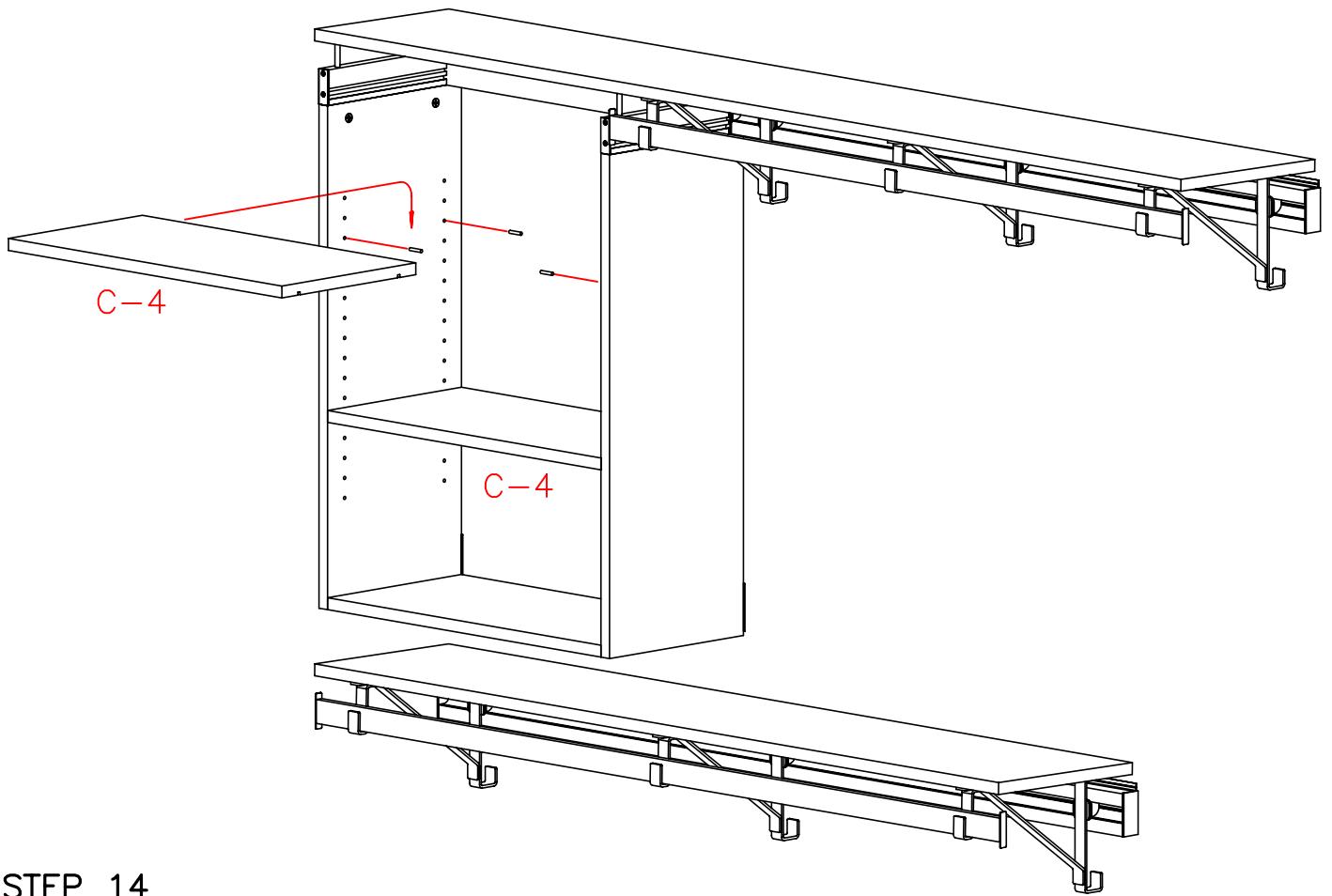
Drop hangbars into brackets



ARRANGE A SPACE

RCMCY kit 75-88 Double Shelf/Hang with Cubby & Long Hang
INSTALLATION GUIDE

page 10



STEP 14 ADJUSTABLE SHELVES

Use shelf pins to support adjustable shelves (C-4) as desired inside completed cubby unit.

Cutouts on bottom of shelves fit over shelf pins to hold shelves