

# arrange a SPACE

## INSTALLATION GUIDE

### RCMBY kit 52-64 Top & Bottom Shelf /Hang with Long Hang

The instructions below will make installation & assembly as simple as possible. We recommend reading these instructions BEFORE beginning installation. Becoming familiar with all the components will also make your installation quick & easy.

Save time! Check out our 1 minute installation video overview at [www.arrangeaspace.com](http://www.arrangeaspace.com) on our videos page.

#### **WARNING:**

It is important that RAILS be installed properly per the instructions below. If the system is incorrectly installed or assembled it could become unstable or collapse, possibly causing damage or injury.

#### **Contents:**

- |  |  |
|--|--|
| A) RAIL (1 long & 1 short) with End Caps (B)     | G) #8 × 3/4" Phillips Panhead Screw (10)   |
| C) Brackets (3 - long shelf<br>(2 - short shelf) | H) #10 × 2" Phillips Panhead Screw<br>(14 with 52" + top RAIL)<br>(18 with 60" + top RAIL) |
| D) Hangbar End Caps (4)                          |  |
| E) Hangbar (1 long & 1 short)                    |  |
| F) Shelf (1 long & 1 short)                      |  |

#### **Tools:**

1. Impact drill for driving screws into studs (optional)
2. Drill with 3/16" bit & APEX #2 Phillips screwdriver bit 2 3/4" long or longer 7/64" drill bit for pre-drilling studs (not needed if you have impact drill)
3. Rubber mallet or hammer with wood block
4. Tape Measure
5. Level

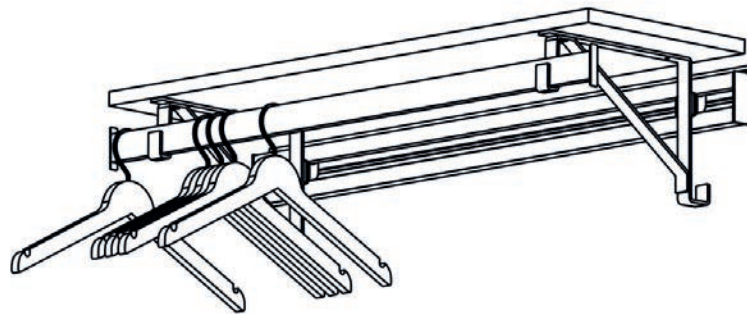
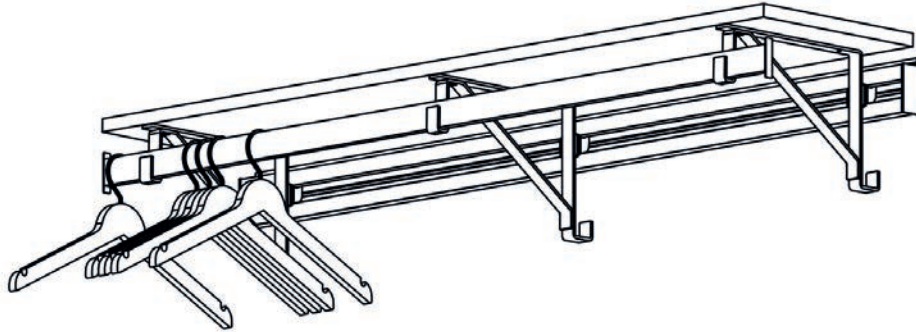
All parts were inspected prior to shipping. Should you encounter any problems please contact our Customer Care Manager at 877 .350.RAIL(7245) Monday - Friday 9am-5pm EST.  
or email us at [customerservice@arrangeaspace.com](mailto:customerservice@arrangeaspace.com)

# arrange a SPACE

## INSTALLATION GUIDE

### RCMBY kit 52-64 Top & Bottom Shelf /Hang with Long Hang

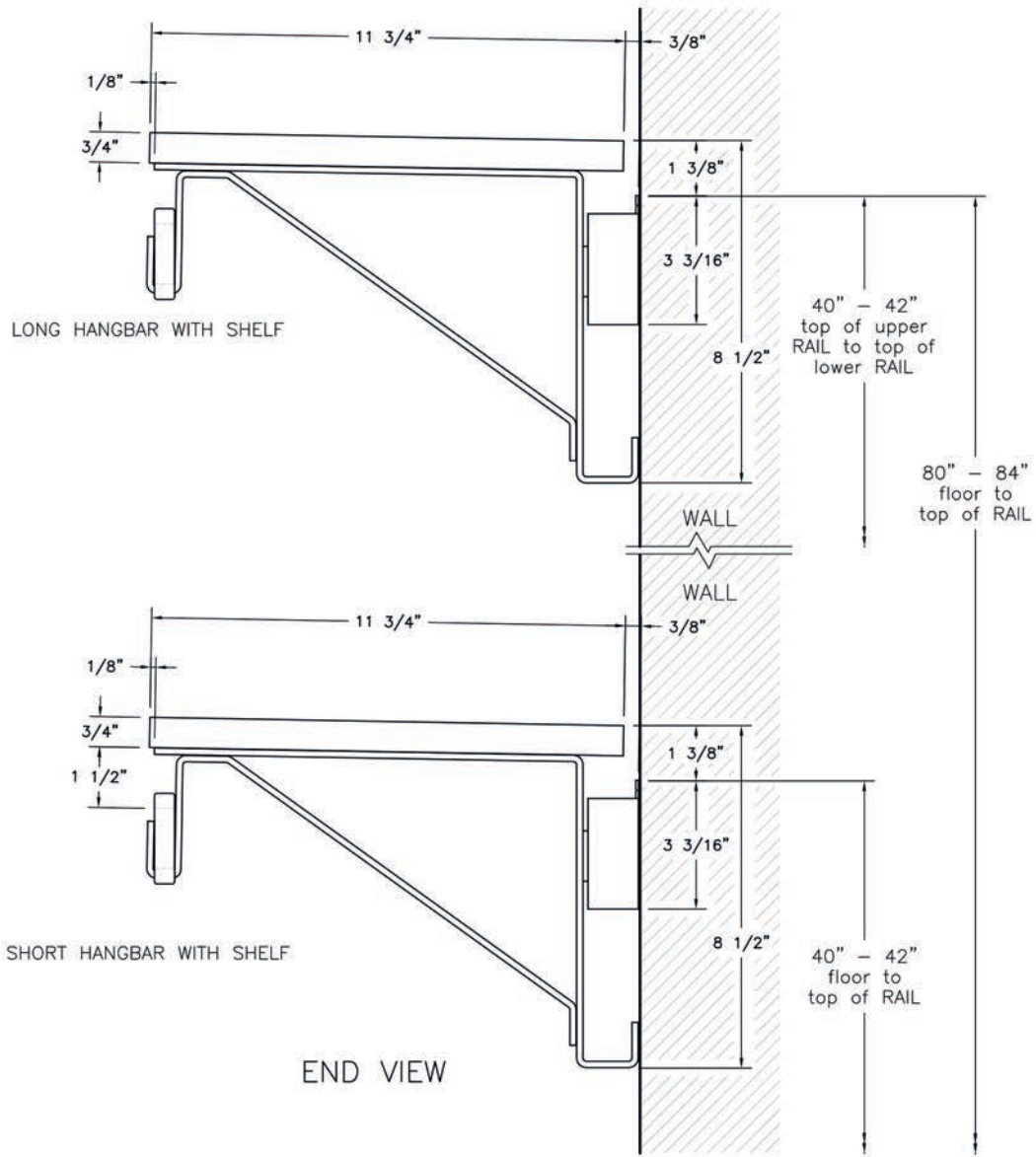
---



# arrange a SPACE

## INSTALLATION GUIDE

### RCMBY kit 52-64 Top & Bottom Shelf / Hang with Long Hang



# arrange a SPACE

## INSTALLATION GUIDE

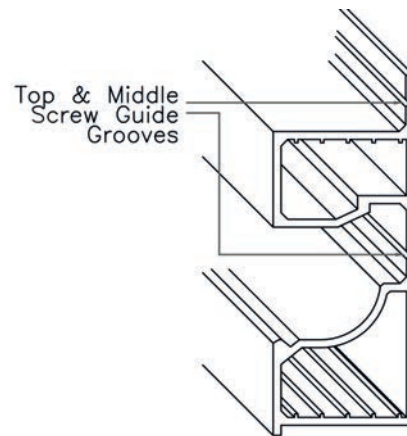
### RCMBY kit 52-64 Top & Bottom Shelf /Hang with Long Hang

---

#### STEP 1

##### Mount Rail Into Wood Studs

The RAIL must be mounted into the solid wood of wall studs. Standard stud spacing is 16" from center to center. RAIL can shift left or right as desired so long as it is supported by all available studs (at least 2). It is unsafe to mount the RAIL in any other manner. If you are unsure how to install the RAIL, please consult a qualified carpenter or handyperson.



1. Measure for RAIL height & desired position (See diagrams on page 7)
2. Locate studs. **Do not use drywall anchors.** Mark stud centers on RAIL upper and middle screw guide grooves. Drill holes in the RAIL only using the 3/16" drill bit
3. If using an impact drill skip this step Pre-drill wood studs using a 7/64" drill bit.
4. Anchor the RAIL to the wall using the #10 x 2" wood screws (H) provided. Do not over tighten as RAIL can bend. Secure the top center screw first.

**IMPORTANT - Make sure the RAIL is level before drilling mounting holes.**

**If the RAIL is not level the system will not function properly.**

Then attach the remaining screws.

# arrange a SPACE

## INSTALLATION GUIDE

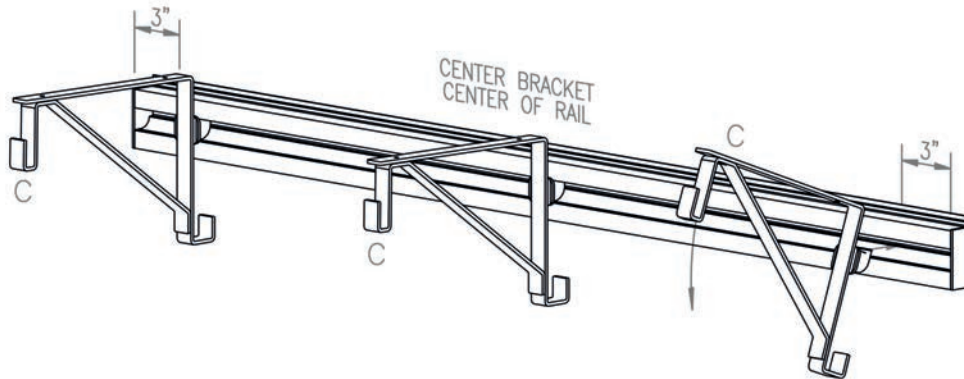
### RCMBY kit 52-64 Top & Bottom Shelf /Hang with Long Hang

---

#### STEP 2

##### Top Shelf / Hang: Install Brackets

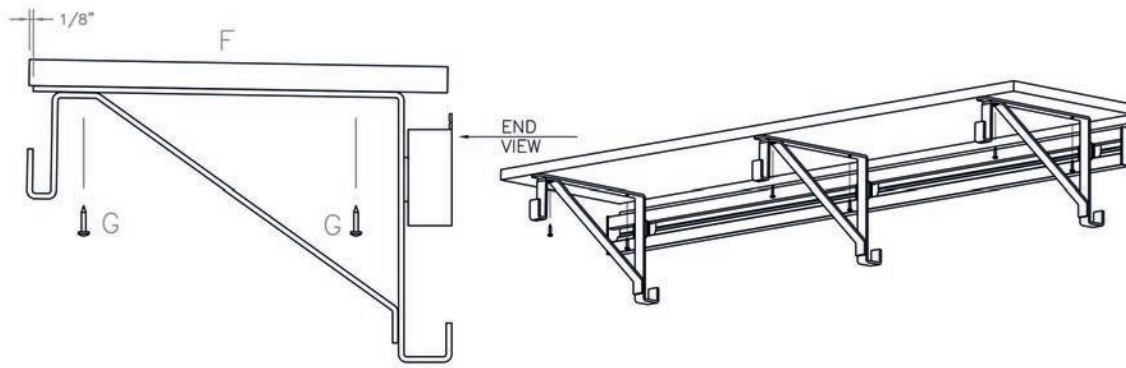
1. Insert bracket peg into RAIL at an angle and pull down.
2. Position brackets 3" in from each end of RAIL.



#### STEP 3

##### Attach Top Shelf

Fasten shelf to brackets with #8 self tapping screws from underside using Apex bit.  
No need to pre-drill.



# arrange a SPACE

## INSTALLATION GUIDE

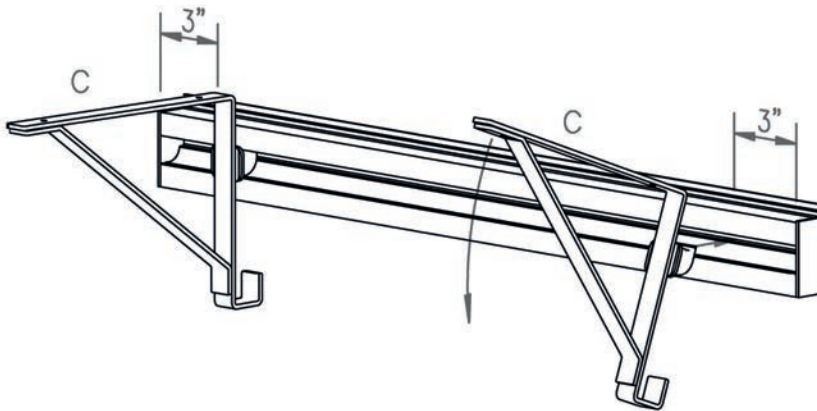
### RCMBY kit 52-64 Top & Bottom Shelf / Hang with Long Hang

---

#### STEP 4

##### Lower Shelf / Hang: Install Brackets

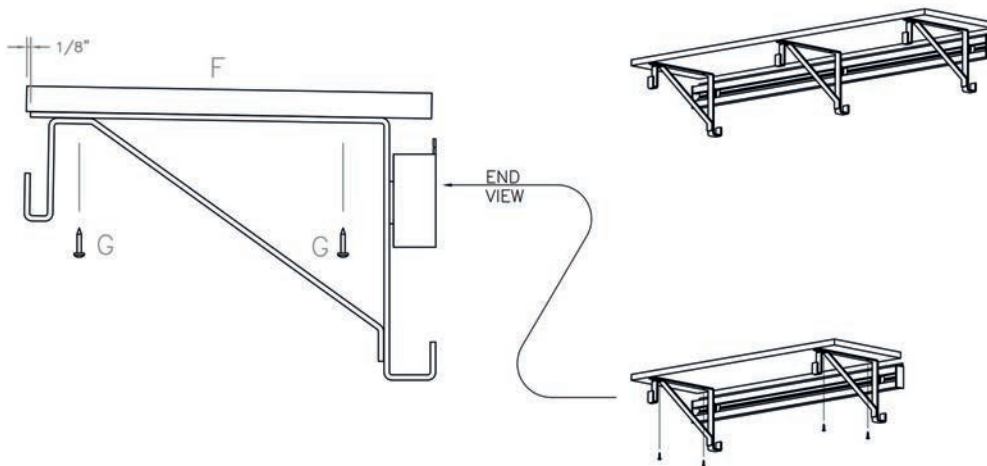
1. Insert bracket peg into RAIL at an angle and pull down.
2. Position brackets 3" in from each end of RAIL.



#### STEP 5

##### Attach Shelf

Fasten shelf to brackets with #8 self tapping screws from underside using Apex bit. No need to pre-drill.



# arrange a SPACE

## INSTALLATION GUIDE

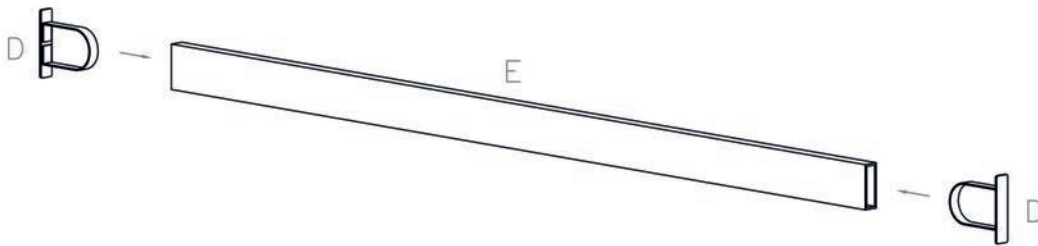
### RCMBY kit 52-64 Top & Bottom Shelf / Hang with Long Hang

---

#### STEP 6

##### Insert Hangbar Ends

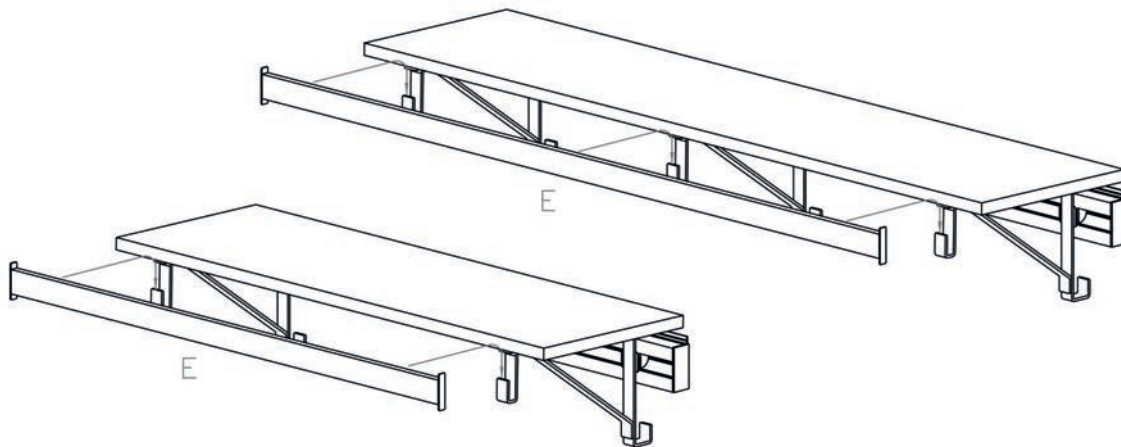
1. Insert Ends into Hangbar.
2. Use rubber mallet or hammer with wood block to protect finish.



#### STEP 7

##### Place Hangbars

Drop hangbar into brackets.



# arrange a SPACE

## INSTALLATION GUIDE

### RCMBY kit 52-64 Top & Bottom Shelf /Hang with Long Hang

#### FINISHED CONFIGURATION

