

A R R A N G E A S P A C E

RCMAY kit 52–84 Hangbar with Shelf & Single Top Shelf INSTALLATION GUIDE

page 1

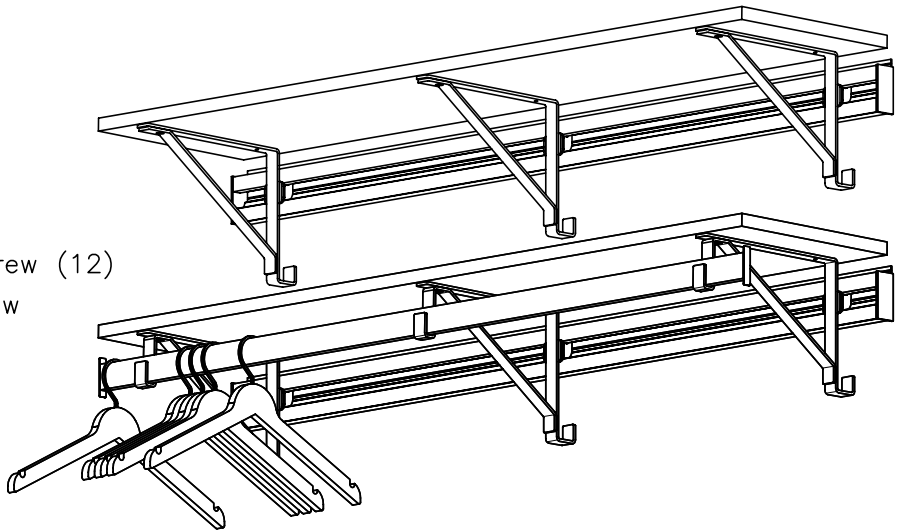
The instructions below will make installation & assembly as simple as possible. We recommend reading these instructions BEFORE beginning installation. Becoming familiar with all the components will also make your installation quick & easy. **Save time! Check out our 1 minute installation video overview at www.arrangeaspace.com on our home page.**

WARNING:

It is important that RAILS™ be installed properly per the instructions below. If the system is incorrectly installed or assembled it could become unstable or collapse, possibly causing damage or injury.

CONTENTS:

- A) RAIL (2)
- B) End Caps for RAIL (4)
- C) Brackets (3–shelf only)
(3 shelf/ hang)
- D) Hangbar End Caps (2)
- E) Hangbar (1)
- F) Shelf (2)
- G) #8 x 3/4" Phillips Panhead Screw (12)
- H) #10 x 2" Phillips Panhead Screw
(16 for 52"+ shelf)
(20 for 60"+ shelf)
(24 for 72"+ shelf)



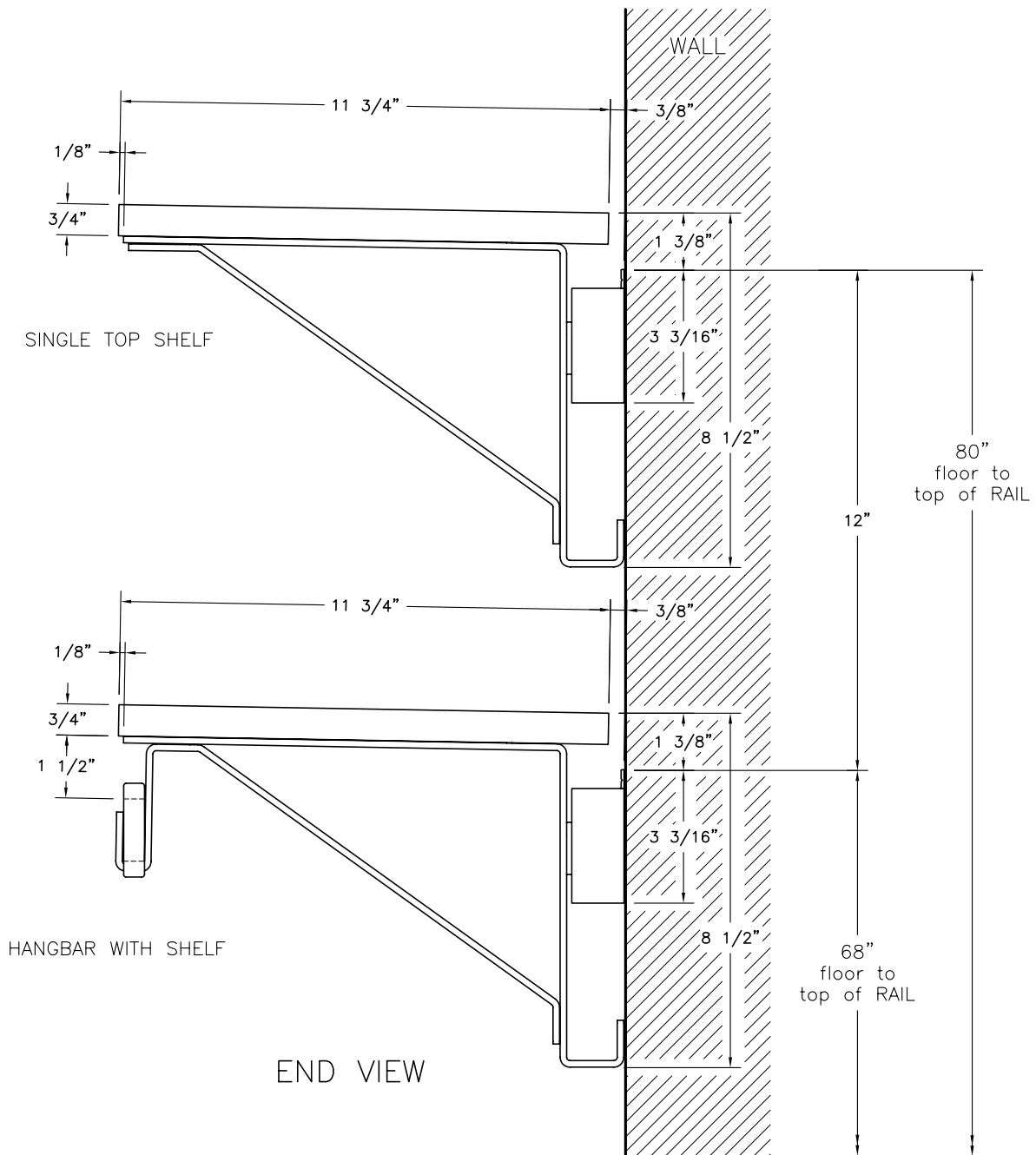
TOOLS:

- Impact drill for driving screws
into studs (optional)
- Drill with 3/16" bit & APEX #2
Phillips screwdriver bit
2 3/4" long or longer
- 7/64" drill bit for pre-drilling studs
(not needed if you have impact drill)
- Rubber mallet or hammer with wood block
- Tape Measure
- Level

All parts were inspected prior to shipping. Should you encounter any problems please contact our Customer Care Manager at 877.350.RAIL(7245) Monday thru Friday 9am–5pm EST. or email us at CustomerService@pegRAIL.com

ARRANGE A SPACE

RCMAY kit 52-84 Hangbar with Shelf & Single Top Shelf INSTALLATION GUIDE



All parts were inspected prior to shipping. Should you encounter any problems please contact our Customer Care Manager at **877.350.RAIL(7245)** Monday thru Friday 9am-5pm EST. or email us at CustomerService@pegRAIL.com

ARRANGE A SPACE

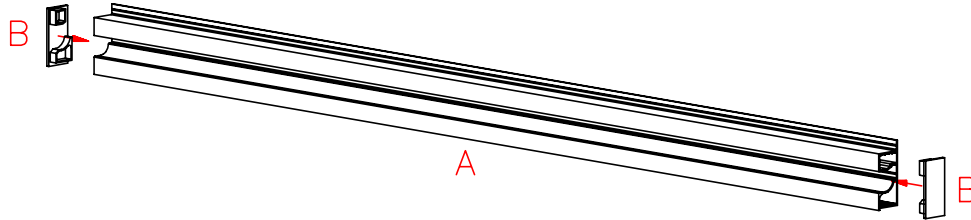
RCMAY kit 52-84 Hangbar with Shelf & Single Top Shelf INSTALLATION GUIDE

page 3

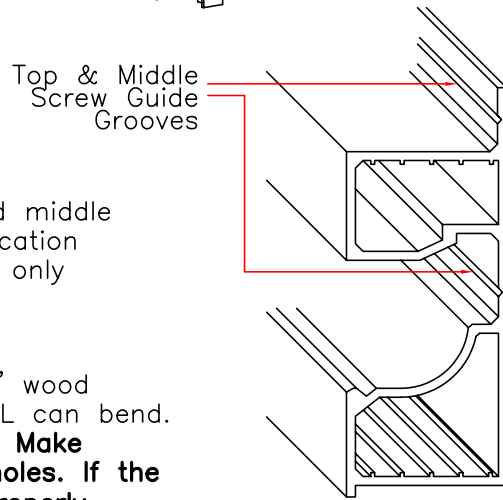
STEP 1

MOUNT RAILS INTO WOOD STUDS

The RAIL must be mounted into the solid wood of wall studs. A 36" RAIL will hit 3 wall studs (standard stud spacing is 16" from center to center). It is unsafe to mount the RAIL in any other manner. If you are unsure how to install the RAIL please consult a qualified carpenter or handyperson.

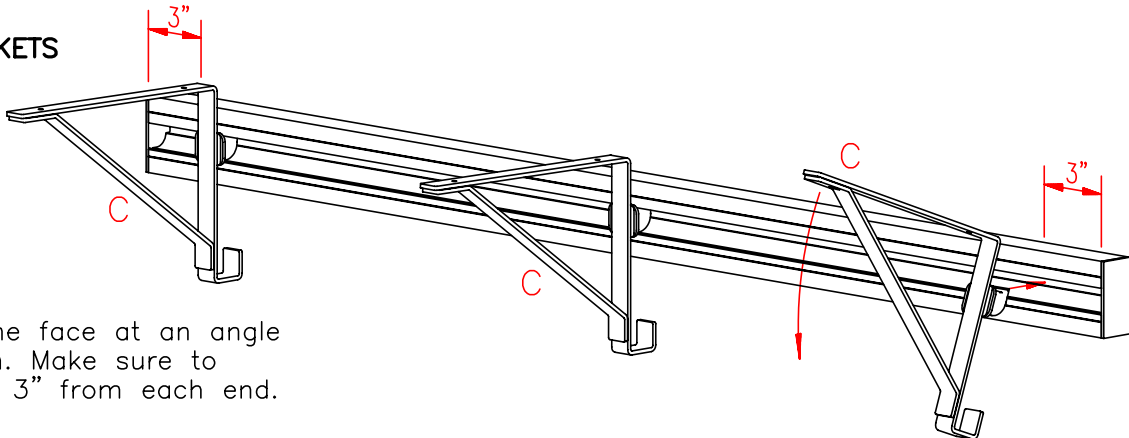


- Secure end caps in ends of RAIL with rubber mallet or by use of a wooden block to protect end caps. This step may have been completed at the factory.
- Measure for RAIL height & desired position (see diagrams on page 4)
- Locate studs. Mark the RAIL on the upper and middle screw guide grooves to correspond with stud location of area to be installed. Drill holes in the RAIL only using the 3/16" drill bit.
- If using an impact drill skip this step. Pre-drill wood studs using a 7/64" drill bit.
- Anchor the RAIL to the wall using the #10 x 2" wood screws (H) provided. Do not over tighten as RAIL can bend. Secure the top center screw first. **IMPORTANT - Make sure the RAIL is level before drilling mounting holes. If the RAIL is not level the system will not function properly.** Then attach the remaining screws.



STEP 2

INSTALL BRACKETS



Insert from the face at an angle and pull down. Make sure to position them 3" from each end.

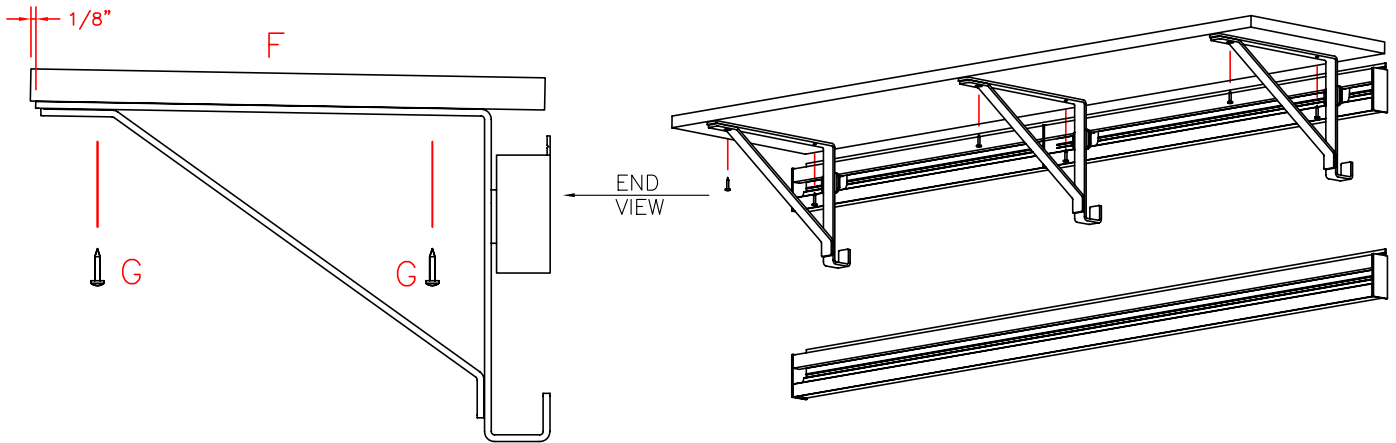
ARRANGE A SPACE

RCMAY kit 52-84 Hangbar with Shelf & Single Top Shelf INSTALLATION GUIDE

page 4

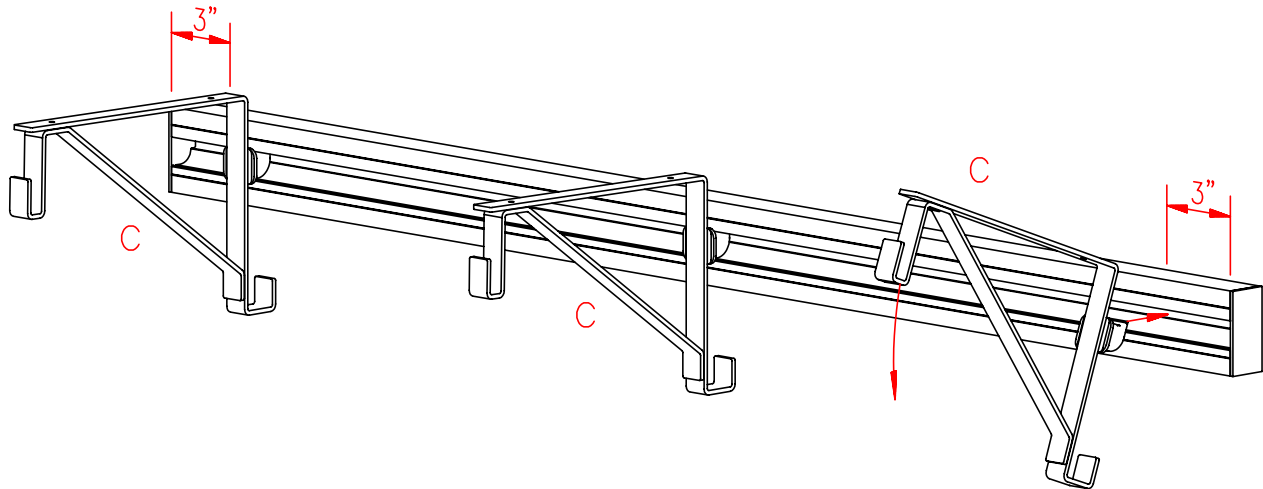
STEP 3 ATTACH TOP SHELF

Fasten shelf to brackets with #8 self tapping screws from underside using Apex bit. No need to pre-drill



STEP 4 HANGBAR WITH SHELF: INSTALL BRACKETS

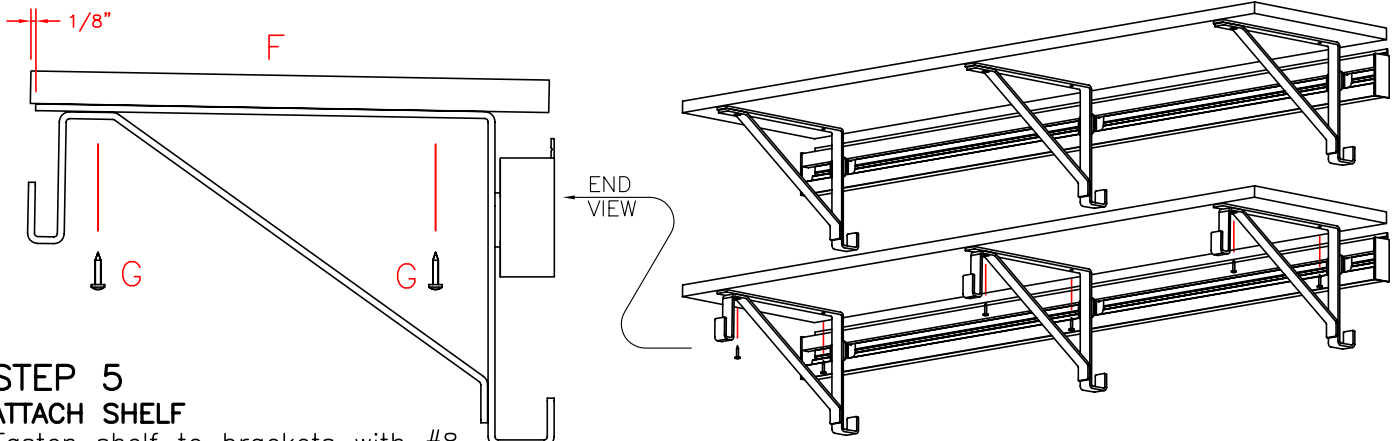
Insert from the face at an angle and pull down. Make sure to position them 3" from each end.



ARRANGE A SPACE

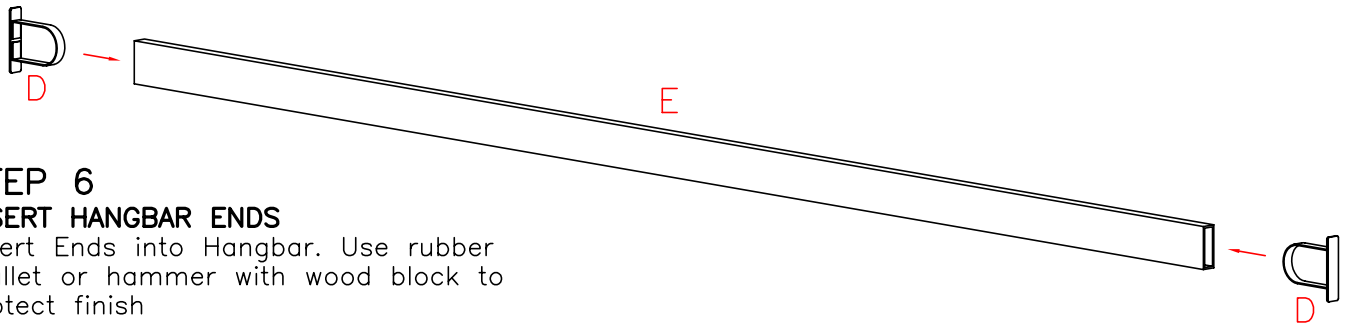
RCMAY kit 52-84 Hangbar with Shelf & Single Top Shelf INSTALLATION GUIDE

page 5



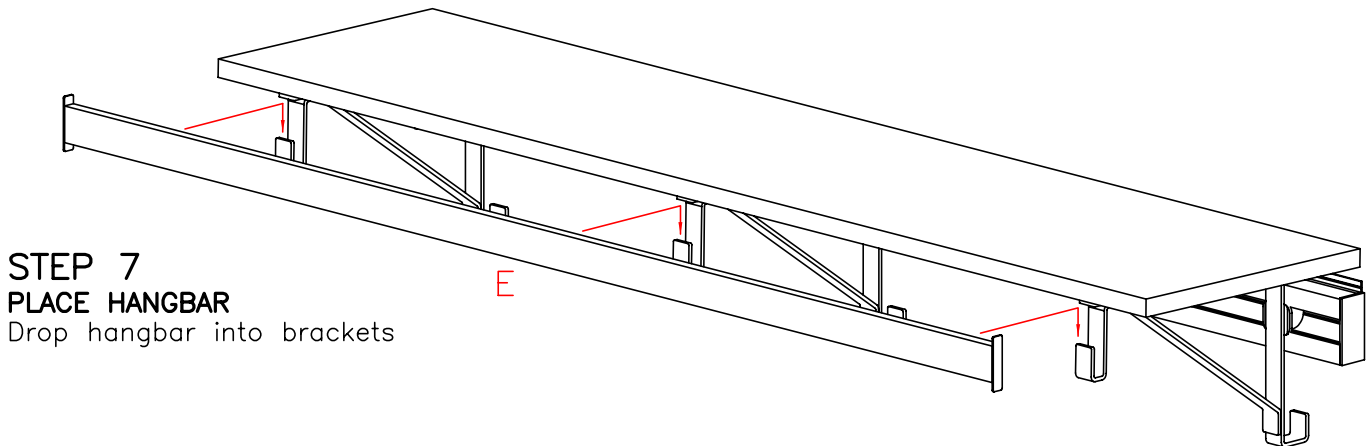
STEP 5 ATTACH SHELF

Fasten shelf to brackets with #8 self tapping screws from underside using Apex bit. No need to pre-drill



STEP 6 INSERT HANGBAR ENDS

Insert Ends into Hangbar. Use rubber mallet or hammer with wood block to protect finish



STEP 7 PLACE HANGBAR

Drop hangbar into brackets

ARRANGE A SPACE

RCMAY kit 52-84 Hangbar with Shelf & Single Top Shelf INSTALLATION GUIDE

FINISHED CONFIGURATION

