

ARRANGE A SPACE

DHX kit 48 Double Shelf Double Hang with Cubby INSTALLATION GUIDE

page 1

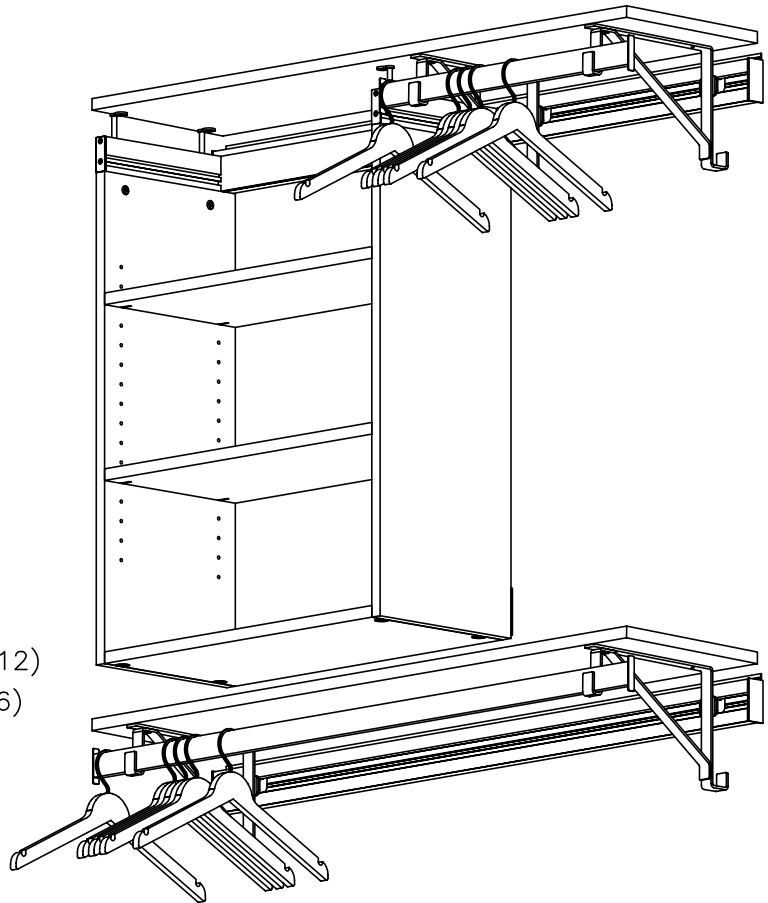
The instructions below will make installation & assembly as simple as possible. We recommend reading these instructions BEFORE beginning installation. Becoming familiar with all the components will also make your installation quick & easy. **Save time! Check out our 1 minute installation video overview at www.arrangeaspace.com on our home page.**

WARNING:

It is important that RAILS be installed properly per the instructions below. If the system is incorrectly installed or assembled it could become unstable or collapse, possibly causing damage or injury.

CONTENTS:

- A) RAIL w/ End Caps (2)
- B) Brackets (4)
- C-1) Cubby Wall (Left)
- C-2) Cubby Wall (Right)
- C-3) Cubby Bottom
- C-4) Cubby Shelf (2)
- C-5) Cubby Screw Pack
 - Wall Connector Bolt (4)
 - Bottom Shelf Connector Bolt (4)
 - Figure "8" Clip (4)
 - 5/16"Dia. X 1 1/2" Standoff (4)
 - #8-32 x 2 3/8" Flathead Bolt (4)
 - 5mm x 1" Shelf Support Pins (8)
- C-6) "U" Shaped Cubby Bracket
- D) Hangbar End Caps (4)
- E) Hangbars (E-1 Short & E-2 Long)
- F) Top Shelf (2)
- G) #8 x 3/4" Phillips Panhead Screw (12)
- H) #10 x 2" Phillips Panhead Screw (16)



TOOLS:

- Impact Drill for driving screws into studs (optional)
- Drill with 3/16" bit & APEX #2 Phillips Screwdriver Bit
 - 2 3/4" long or longer
- 7/64" Drill Bit for pre-drilling studs (not needed if you have impact drill)
- Rubber Mallet or hammer with wood block
- Tape Measure
- Level

All parts were inspected prior to shipping. Should you encounter any problems please contact our Customer Care Manager at 877.350.RAIL(7245)

**Monday thru Friday 9am-5pm EST.
or email us at CustomerService@pegRAIL.com**

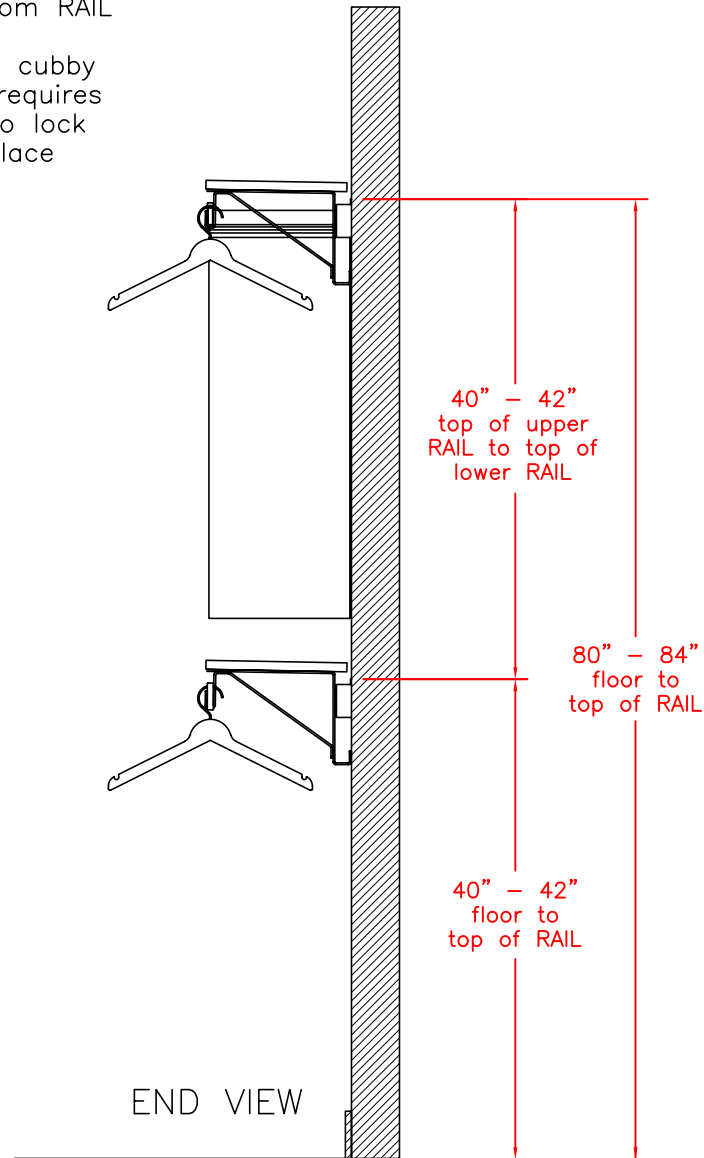
A R R A N G E A S P A C E

DHX kit 48 Double Shelf Double Hang with Cubby INSTALLATION GUIDE

RAIL HEIGHT

When installing second shelf unit above first, top RAIL should be 40" above bottom RAIL

Small gap between cubby bottom and shelf requires short screwdriver to lock cubby bottom in place



All parts were inspected prior to shipping. Should you encounter any problems please contact our Customer Care Manager at

877.350.RAIL(7245)

Monday thru Friday 9am-5pm EST.

or email us at CustomerService@pegRAIL.com

ARRANGE A SPACE

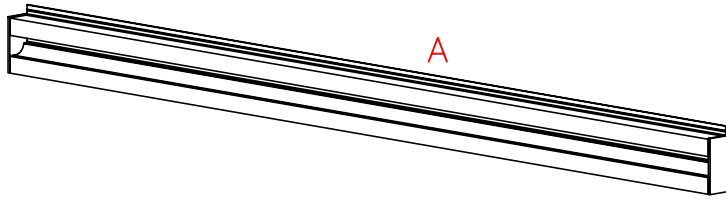
DHX kit 48 Double Shelf Double Hang with Cubby INSTALLATION GUIDE

page 3

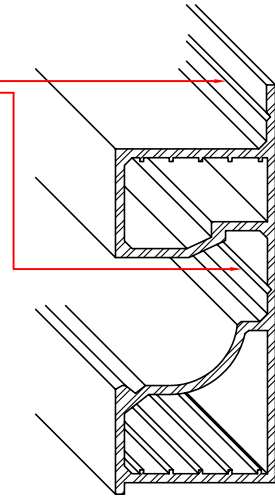
STEP 1

MOUNT RAIL INTO WOOD STUDS

The RAIL must be mounted into the solid wood of wall studs. Standard stud spacing is 16" from center to center. RAIL can shift left or right as desired so long as it is supported by all available studs. It is unsafe to mount the RAIL in any other manner. If you are unsure how to install the RAIL, please consult a qualified carpenter or handyperson.



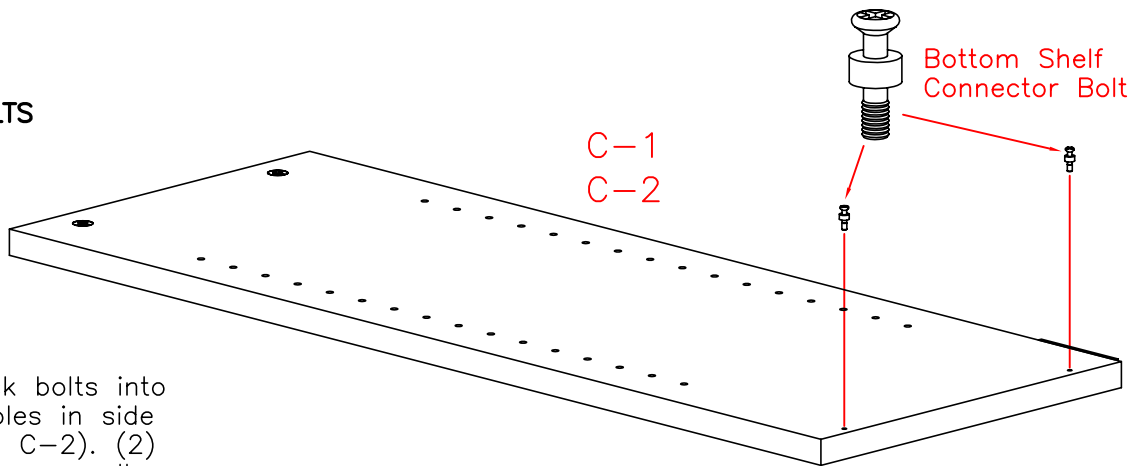
Top & Middle
Screw Guide
Grooves



- i. Measure for RAIL height & desired position (see diagram on page 2)
- ii. Locate studs. **Do not use drywall anchors.** Mark stud centers on RAIL upper and middle screw guide grooves. Drill holes in the RAIL only using the 3/16" drill bit.
- iii. If using an impact drill skip this step. Pre-drill wood studs using a 7/64" drill bit.
- iv. Anchor the RAIL to the wall using the #10 x 2" wood screws (H) provided. Do not over tighten as RAIL can bend. Secure the top center screw first. **IMPORTANT – Make sure the RAIL is level before drilling mounting holes. If the RAIL is not level the system will not function properly.** Then attach the remaining screws.

STEP 2

SIDE WALLS: CAMLOCK BOLTS

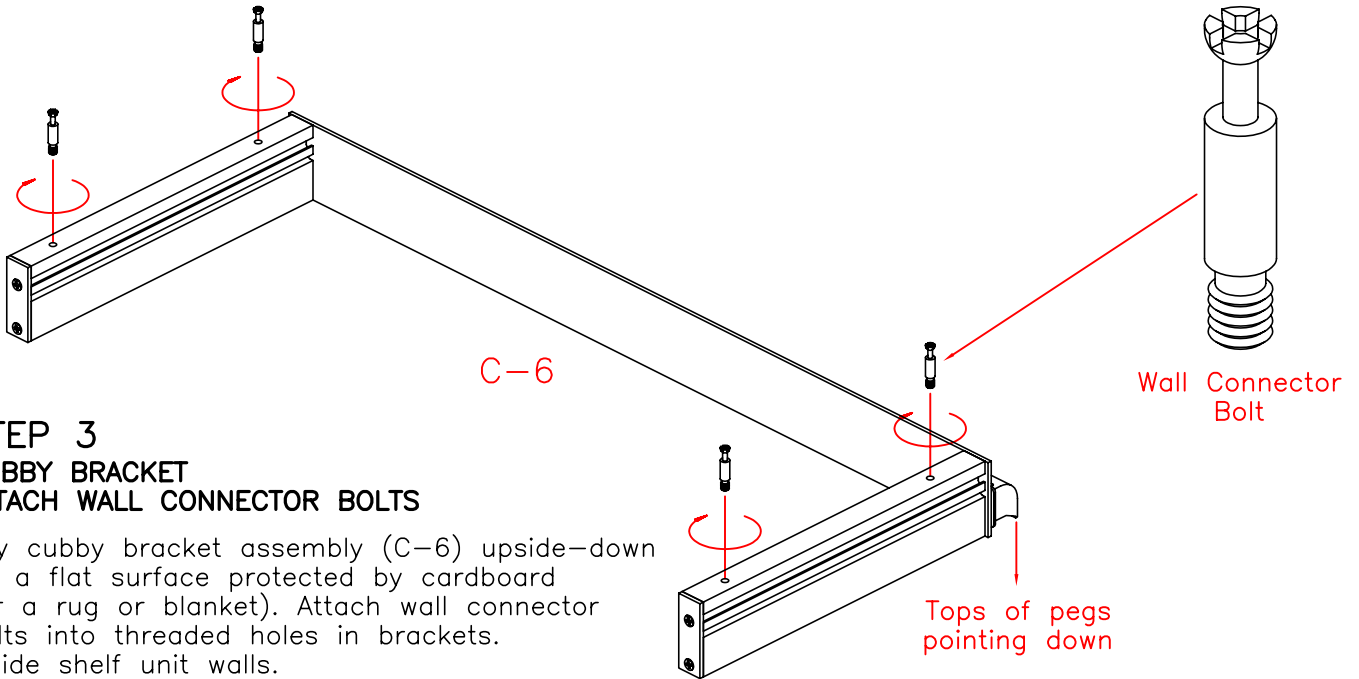


Screw camlock bolts into pre-drilled holes in side walls (C-1 & C-2). (2) camlock bolts per wall

ARRANGE A SPACE

DHX kit 48 Double Shelf Double Hang with Cubby INSTALLATION GUIDE

page 4

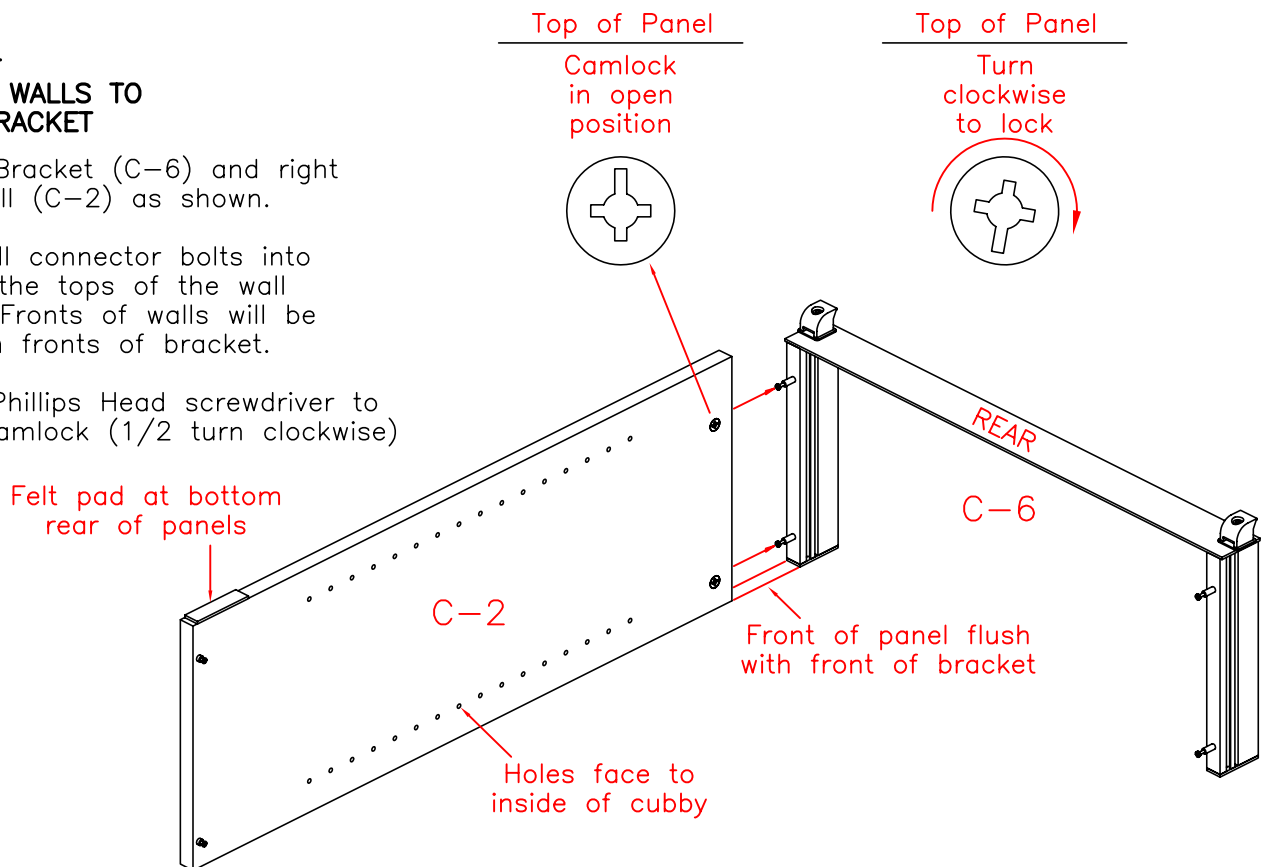


STEP 4 **CONNECT WALLS TO** **CUBBY BRACKET**

Position Bracket (C-6) and right cubby wall (C-2) as shown.

Insert wall connector bolts into holes in the tops of the wall panels. Fronts of walls will be flush with fronts of bracket.

Use #2 Phillips Head screwdriver to tighten camlock (1/2 turn clockwise)

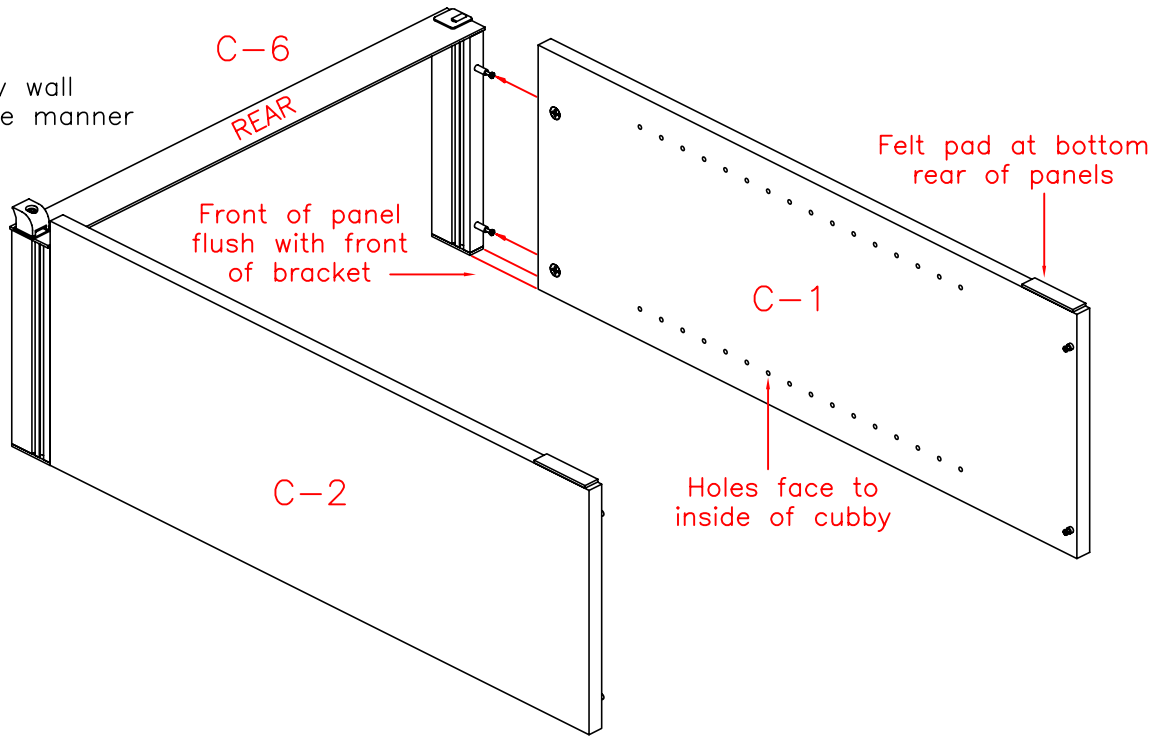


ARRANGE A SPACE

DHX kit 48 Double Shelf Double Hang with Cubby INSTALLATION GUIDE

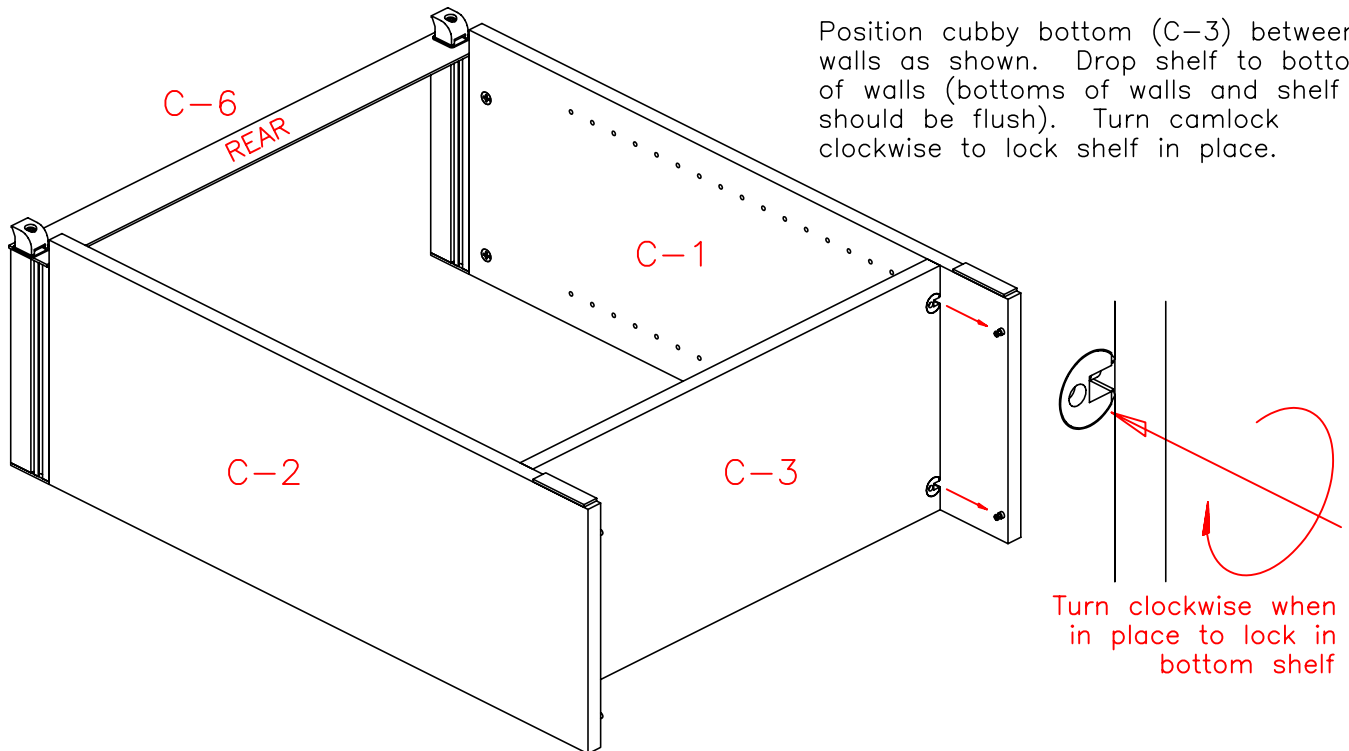
STEP 4 (continued)

Connect left cubby wall
(C-1) in the same manner



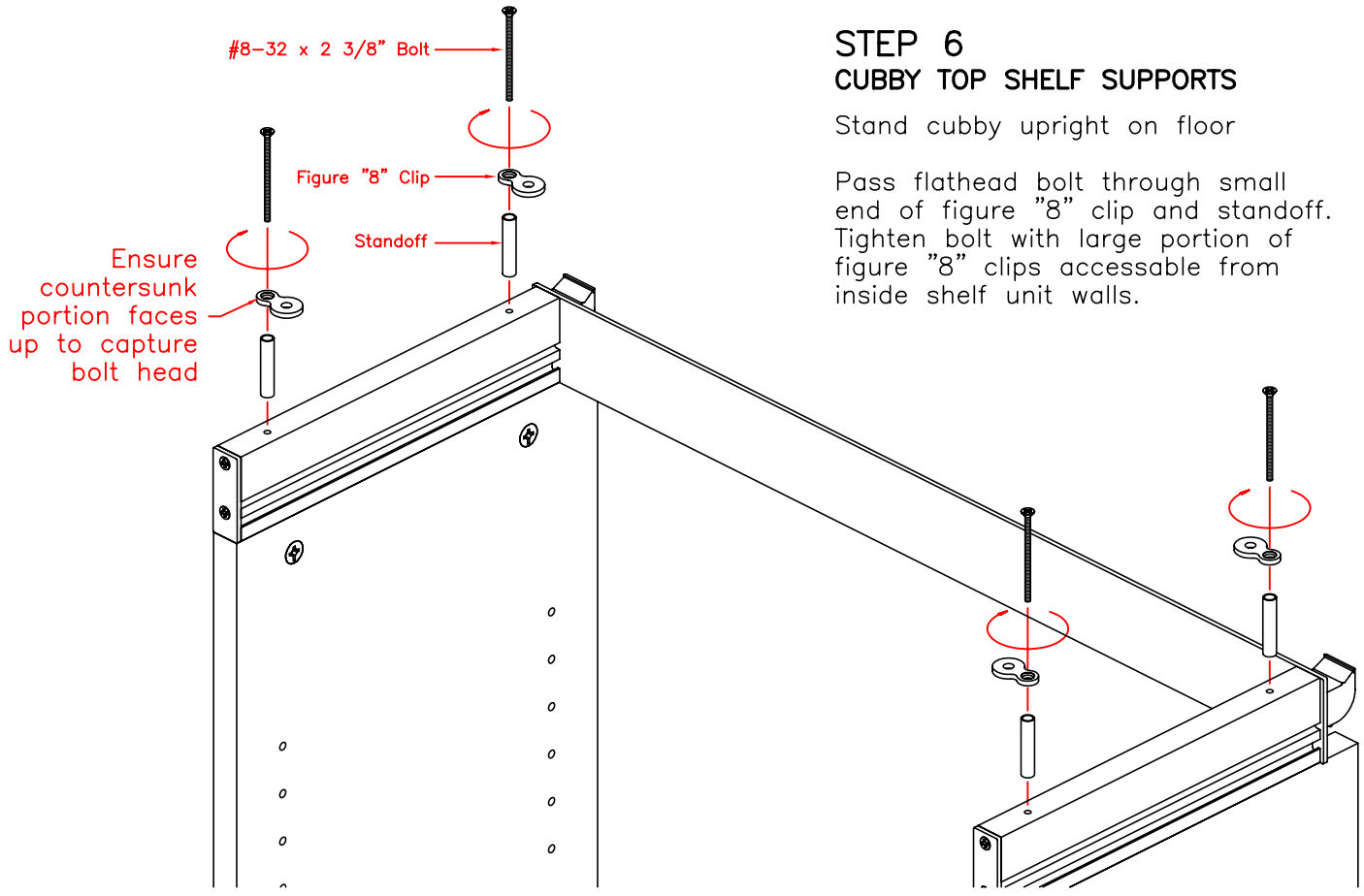
STEP 5 CUBBY BOTTOM

Position cubby bottom (C-3) between walls as shown. Drop shelf to bottom of walls (bottoms of walls and shelf should be flush). Turn camlock clockwise to lock shelf in place.



ARRANGE A SPACE

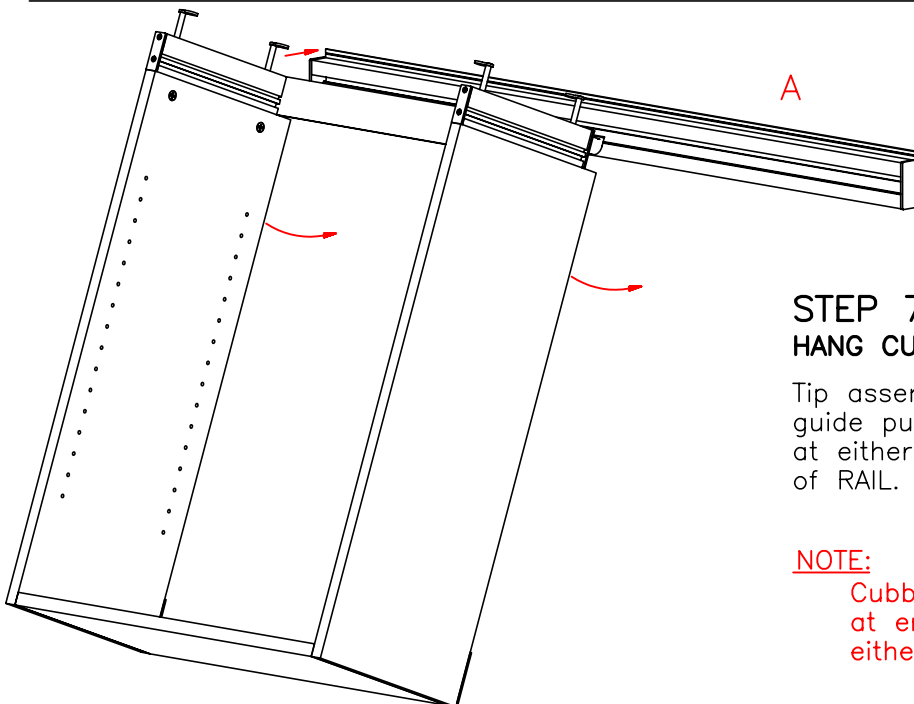
DHX kit 48 Double Shelf Double Hang with Cubby INSTALLATION GUIDE



STEP 6 CUBBY TOP SHELF SUPPORTS

Stand cubby upright on floor

Pass flathead bolt through small end of figure "8" clip and standoff. Tighten bolt with large portion of figure "8" clips accessible from inside shelf unit walls.



STEP 7 HANG CUBBY ON RAIL

Tip assembled cubby and guide pucks into RAIL (A) at either right or left end of RAIL.

NOTE:

Cubby needs to be placed at end of RAIL. Can be either left or right end.

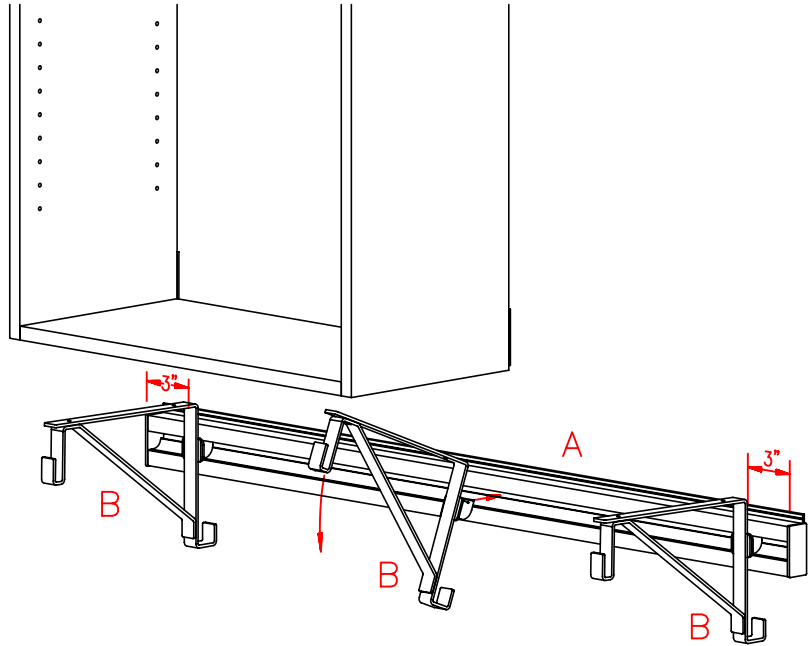
ARRANGE A SPACE

DHX kit 48 Double Shelf Double Hang with Cubby INSTALLATION GUIDE

page 8

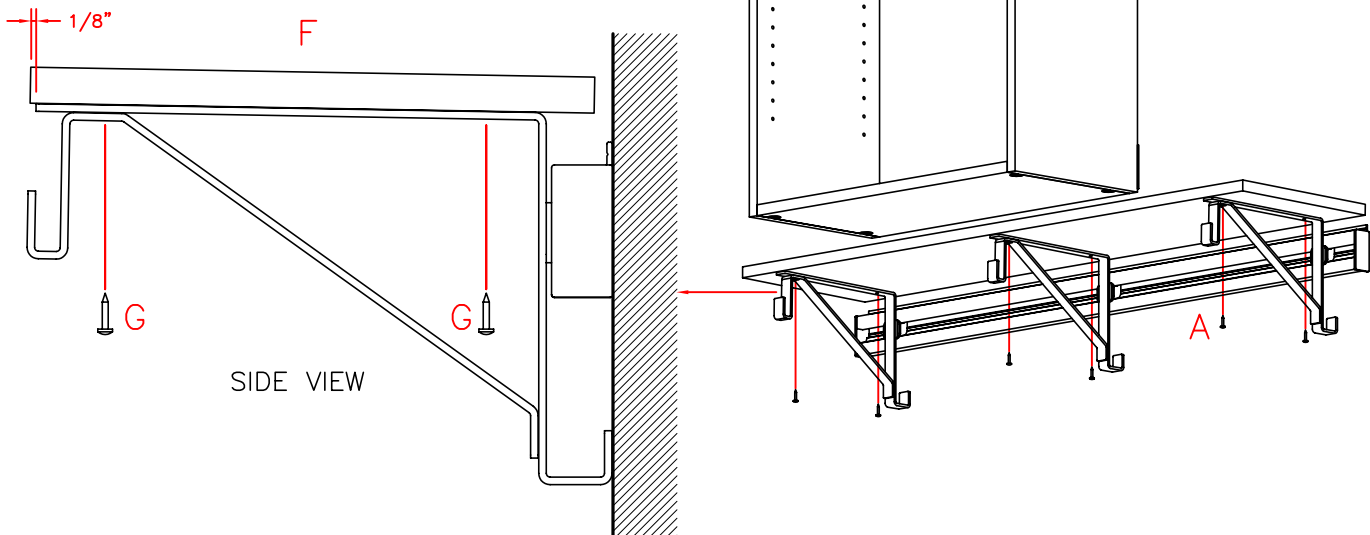
STEP 10 PLACE RAIL BRACKETS

Insert brackets (B) from front of RAIL at an angle and pull down. Position 3" from each end with equal spaces between



STEP 11 ATTACH TOP SHELF

Fasten shelf to brackets with #8 self tapping screws (G) from underside using Apex bit. No need to pre-drill



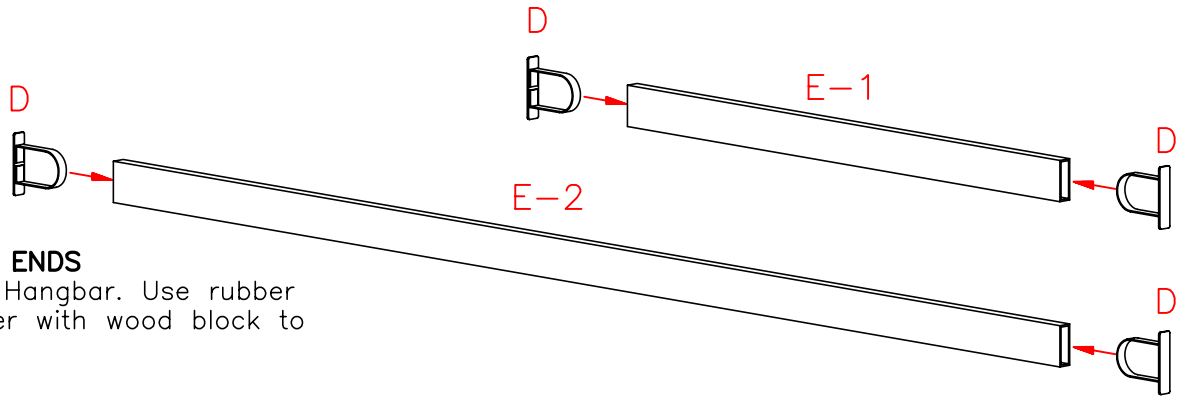
ARRANGE A SPACE

DHX kit 48 Double Shelf Double Hang with Cubby INSTALLATION GUIDE

page 9

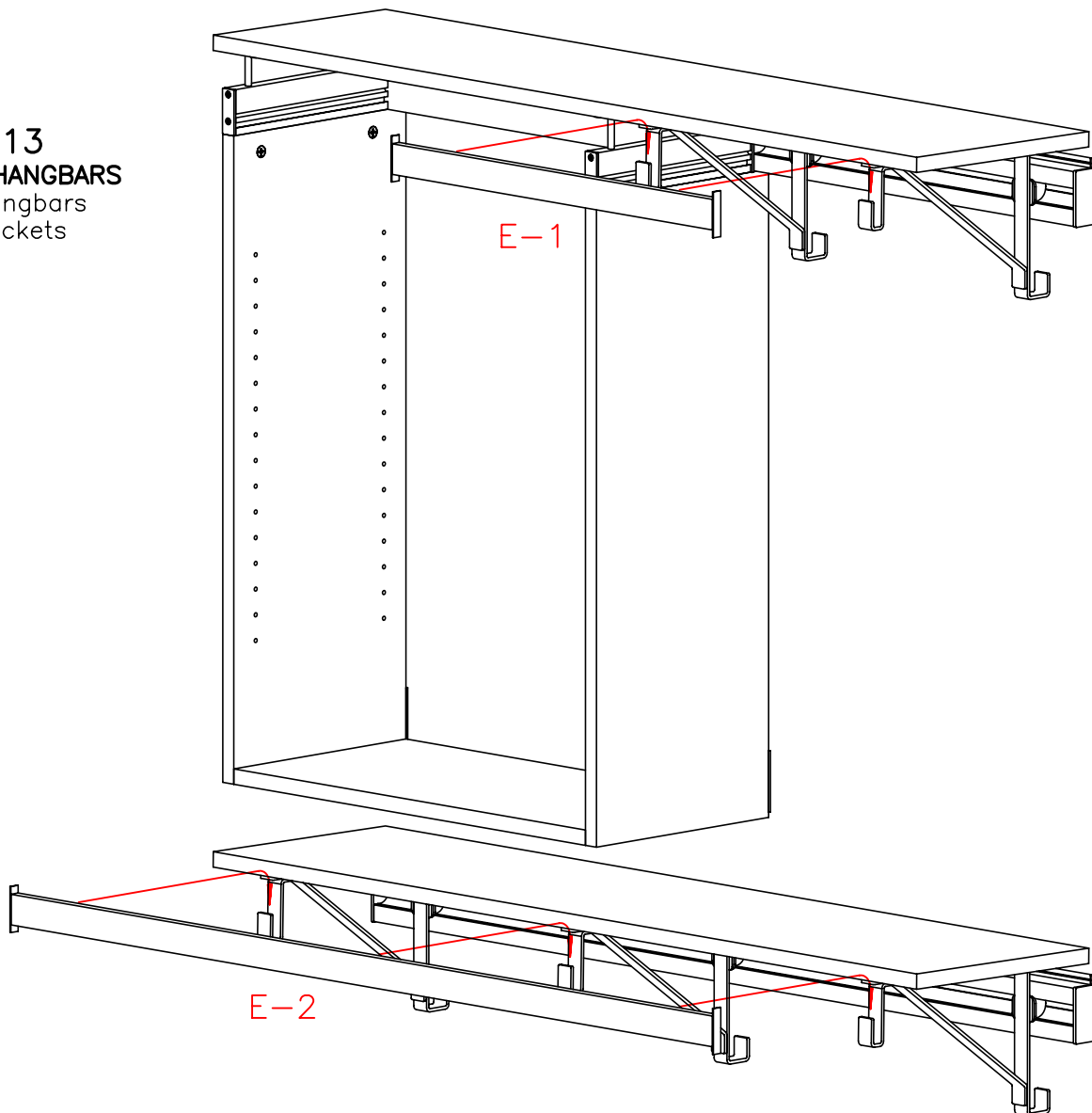
STEP 12 INSERT HANGBAR ENDS

Insert Ends into Hangbar. Use rubber mallet or hammer with wood block to protect finish



STEP 13 PLACE HANGBARS

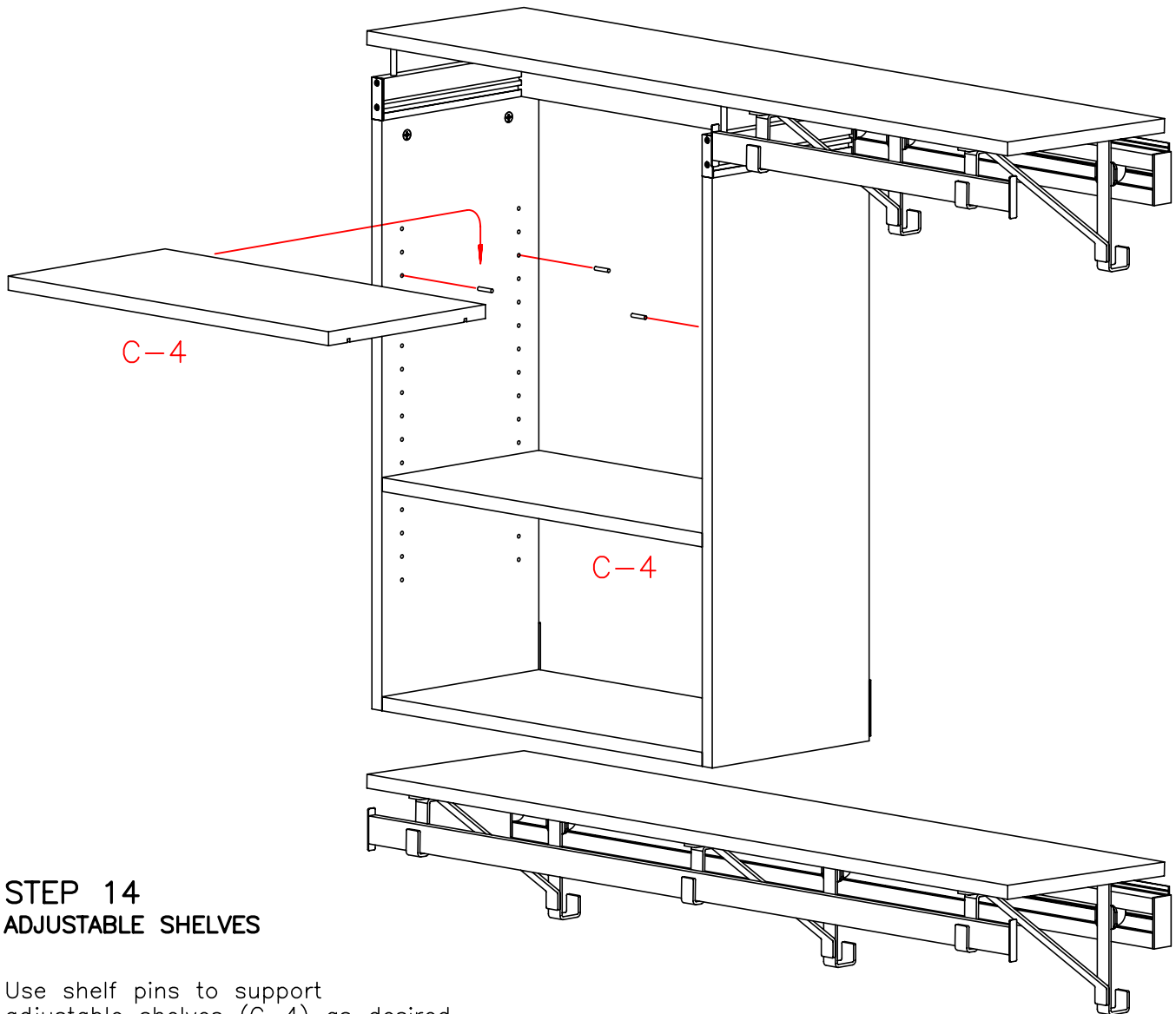
Drop hangbars into brackets



A R R A N G E A S P A C E

DHX kit 48 Double Shelf Double Hang with Cubby INSTALLATION GUIDE

page 10



STEP 14 ADJUSTABLE SHELVES

Use shelf pins to support adjustable shelves (C-4) as desired inside completed cubby unit.

Cutouts on bottom of shelves fit over shelf pins to hold shelves