

arrange a SPACE

INSTALLATION GUIDE

AHS kit 32-58 Adjacent Hangbar with Top Shelf

The instructions below will make installation & assembly as simple as possible. We recommend reading these instructions BEFORE beginning installation. Becoming familiar with all the components will also make your installation quick & easy.

Save time! Check out our 1 minute installation video overview at www.arrangeaspace.com on our videos page.

WARNING:

It is important that RAILS be installed properly per the instructions below. If the system is incorrectly installed or assembled it could become unstable or collapse, possibly causing damage or injury.

Contents:

- | | |
|-------------------------------|-----------------------------------------|
| A) RAIL (1) with End Caps (B) | E) Hangbar |
| C) Brackets: | F) Top Shelf |
| C1) Shelf-Hang (2) | G) #8 × 3/4" Phillips Panhead Screw (6) |
| C2) Shelf only (1) | H) #10 × 2" Phillips Panhead Screw: |
| D) Hangbar End Caps (2) | (6) included for 32"- 40" |
| | (8) included for 41"- 56" |
| | (10) included for 57"- 58" |

Tools:

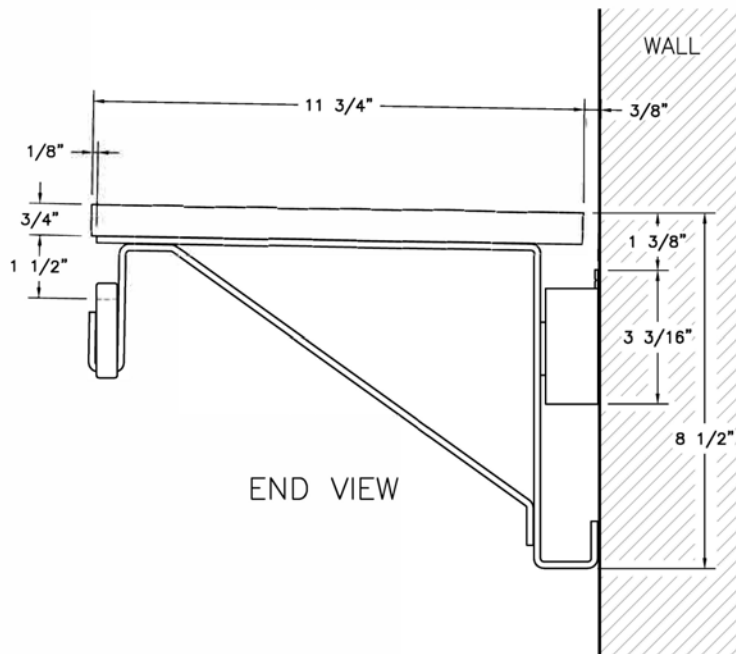
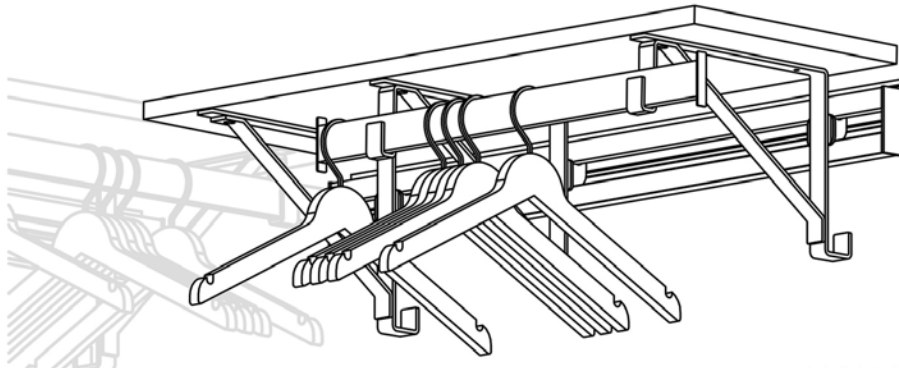
1. Impact drill for driving screws into studs (optional)
2. Drill with 3/16" bit & APEX #2 Phillips screwdriver bit 2 3/ 4" long or longer 7 /64" drill bit for pre-drilling studs (not needed if you have impact drill)
3. Rubber mallet or hammer with wood block
4. Tape Measure
5. Level

All parts were inspected prior to shipping. Should you encounter any problems please contact our Customer Care Manager at 877 .350.RAIL(7245) Monday - Friday 9am-5pm EST.
or email us at customerservice@arrangeaspace.com

arrange a SPACE

INSTALLATION GUIDE

AHS kit 32-58 Adjacent Hangbar with Top Shelf

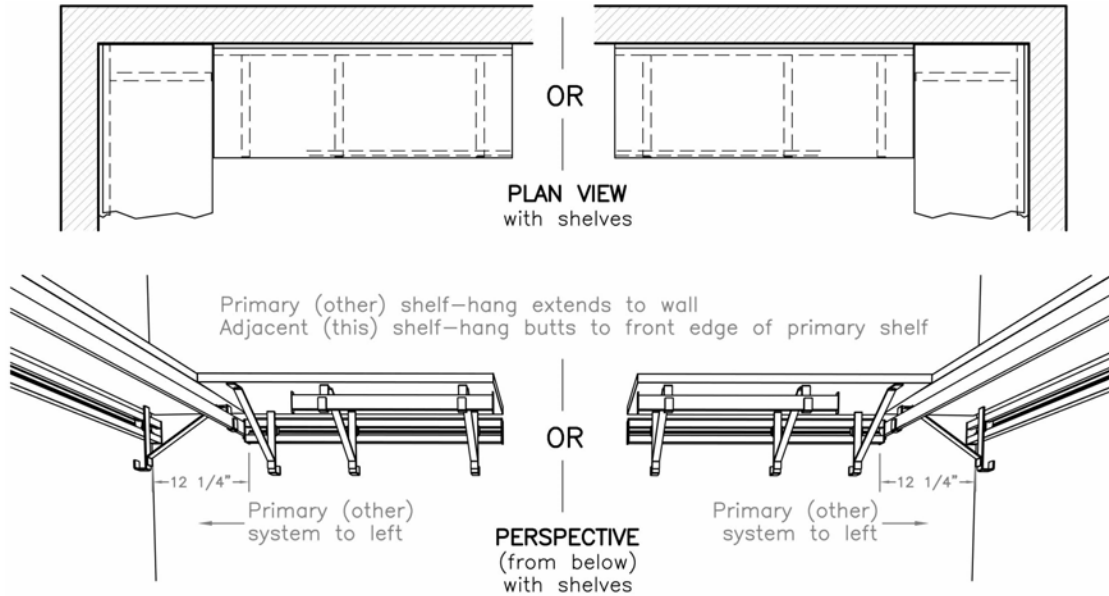


arrange a SPACE

INSTALLATION GUIDE

AHS kit 32-58 Adjacent Hangbar with Top Shelf

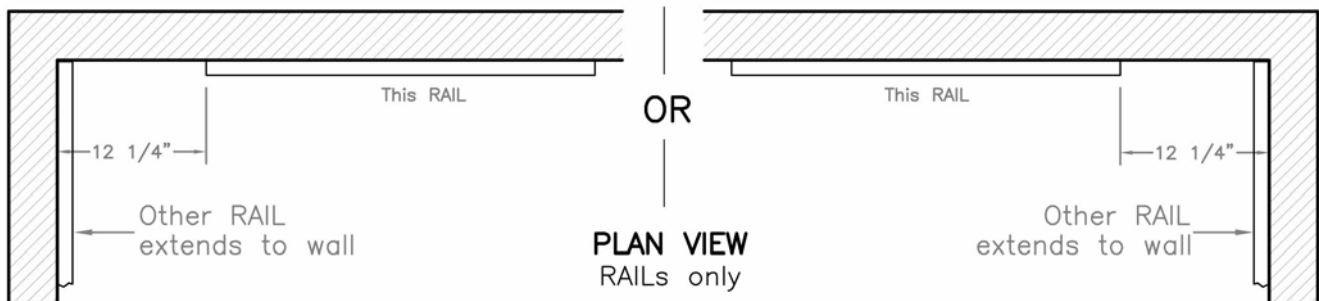
Overall Layout



STEP 1

Determine Rail Placement

RAIL can be adjacent on either left or right side. Mount RAIL at same height as adjacent RAIL and 12 1 / 4" from adjacent wall.



arrange a SPACE

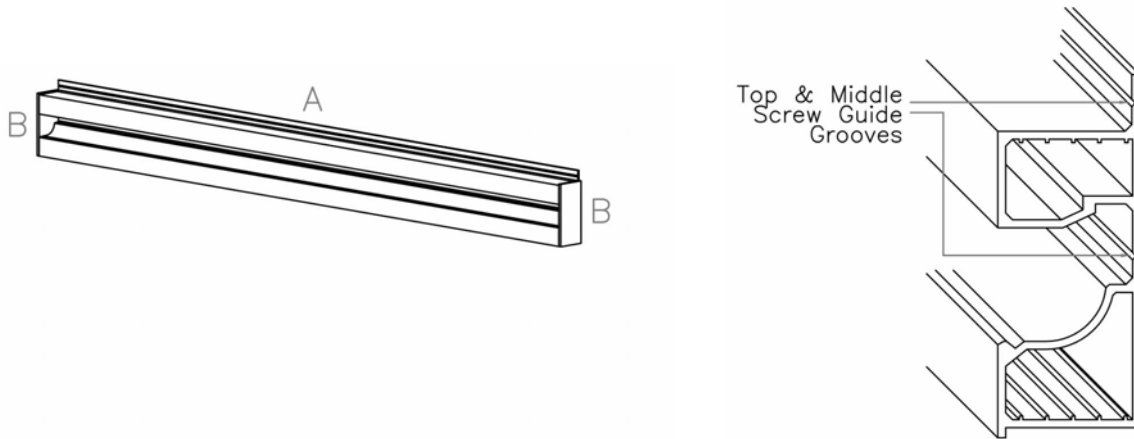
INSTALLATION GUIDE

AHS kit 32-58 Adjacent Hangbar with Top Shelf

STEP 2

Mount Rail Into Wood Studs

The RAIL must be mounted into the solid wood of wall studs. Standard stud spacing is 16" from center to center. RAIL can shift left or right as desired so long as it is supported by all available studs (at least 2). It is unsafe to mount the RAIL in any other manner. If you are unsure how to install the RAIL, please consult a qualified carpenter or handyperson.



1. Measure for RAIL height & desired position as indicated in step 1
2. Locate studs. **Do not use drywall anchors.** Mark stud centers on RAIL upper and middle screw guide grooves. Drill holes in the RAIL only using the 3/16" drill bit
3. If using an impact drill skip this step Pre-drill wood studs using a 7/64" drill bit.
4. Anchor the RAIL to the wall using the #10 × 2" wood screws (H) provided. Do not over tighten as RAIL can bend. Secure the top center screw first.

IMPORTANT - Make sure the RAIL is level before drilling mounting holes.

If the RAIL is not level the system will not function properly.

Then attach the remaining screws.

arrange a SPACE

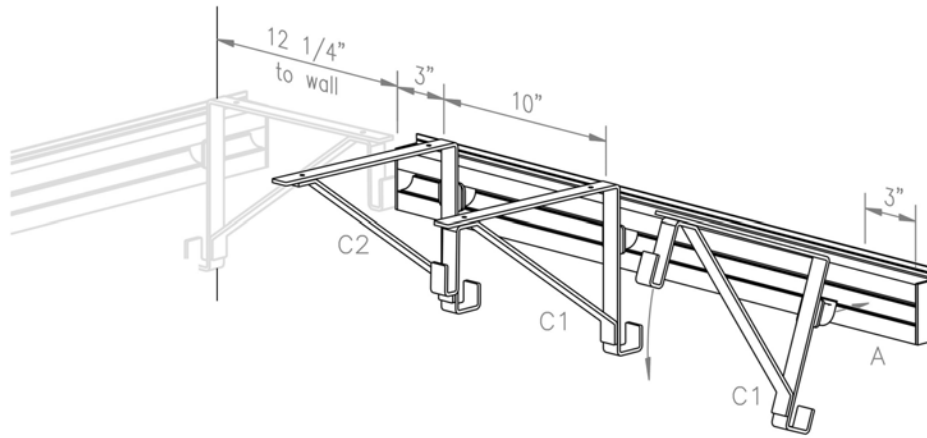
INSTALLATION GUIDE

AHS kit 32-58 Adjacent Hangbar with Top Shelf

STEP 3

Install Brackets

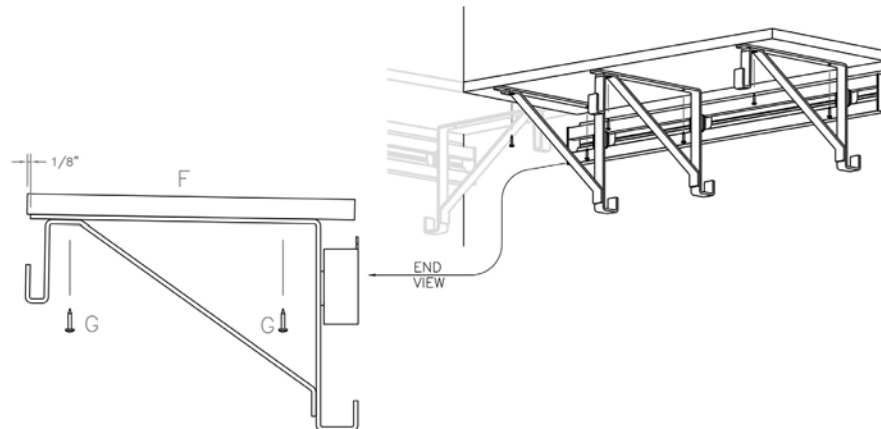
1. Insert bracket peg into RAIL (A) at an angle and pull down.
2. Position outer brackets 3" in from each end of RAIL.
3. Shelf-only (C2) bracket goes closest to adjacent shelf.
4. Place second shelf-hang (C1) bracket 10" in from shelf-only (C2) bracket.



STEP 4

Attach Top Shelf

Fasten shelf to brackets with #8 self tapping screws from underside using Apex bit.
No need to pre-drill.



arrange a SPACE

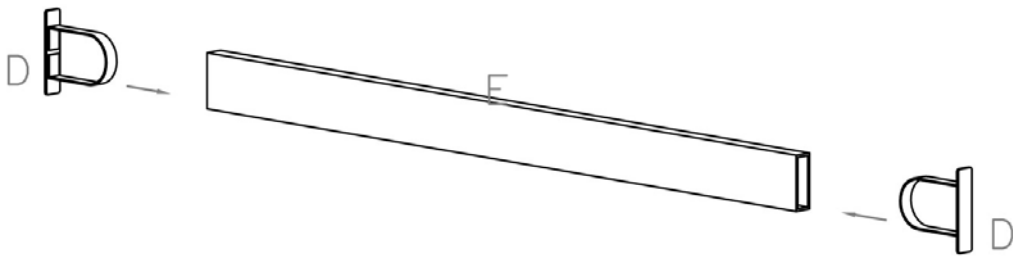
INSTALLATION GUIDE

AHS kit 32-58 Adjacent Hangbar with Top Shelf

STEP 5

Insert Hangbar Ends

Insert Ends into Hangbar. Use rubber mallet or hammer with wood block to protect finish.



STEP 6

Place Hangbar

Drop hangbar into brackets.

